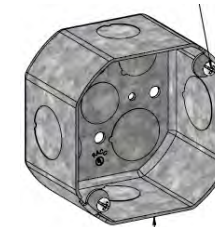


Image for reference only



4" x 4" Junction Box

DARK TOOLS
architectural lighting distributor

Project title: Hurricane 24 inch
 Manufacturer's code: HUR02
 Designer's code: *
 Quantity:
 Date: 2025-04-03
 Weight: *
 Finish: Painted Matte Black
 Glass/ Shade: Clear Glass + Frosted Acrylic
 Fixture Material: 304 Stainless Steel + Acrylic +
 Glass Dimension: W8" x H27-1/8" x E13"
 Lamping: DC LED 16W
 Color temperature/CRI: 2700K /90
 Total lumens: 1600 Initial lumen
 Beam angle: *
 Voltage: 120VAC 60Hz
 Dimming type: Triac dimming
 Location rated: Wet
 Drawing by: *
 Safety Standard: 

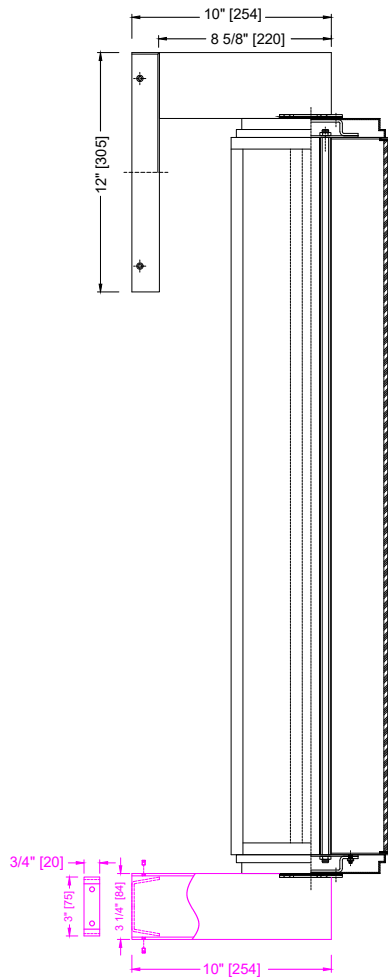
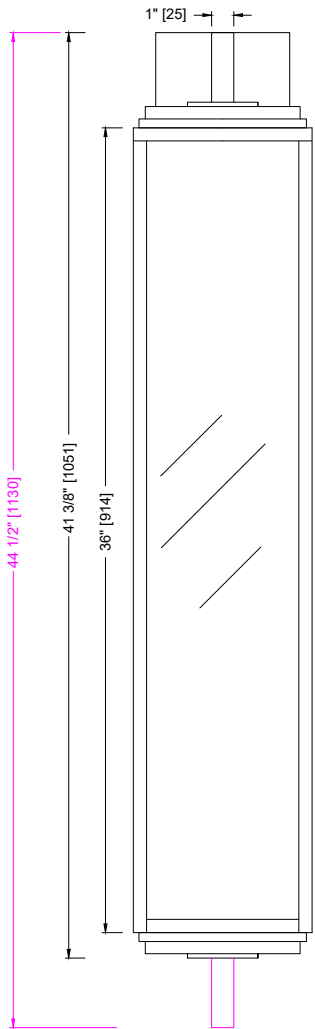
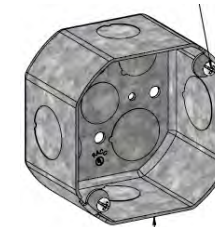
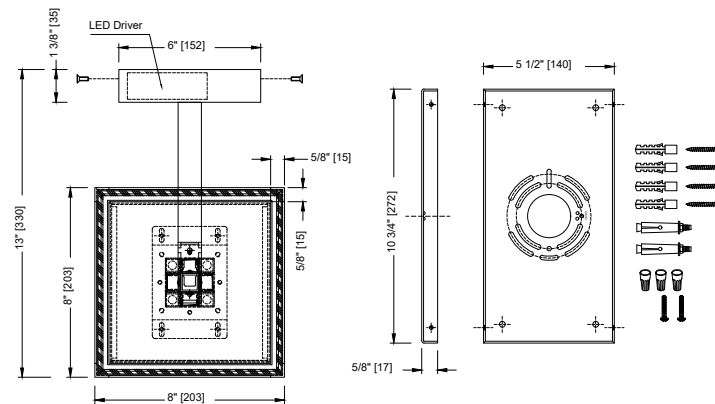


Image for reference only



4" x 4" Junction Box



Project title:	Hurricane 36 inch
Manufacturer's code:	HUR03
Designer's code:	*
Quantity:	
Date:	2025-03-26
Weight:	*
Finish:	Painted Matte Black
Glass/ Shade:	Clear Glass + Frosted Acrylic
Fixture Material:	304 Stainless Steel + Acrylic +
Glass Dimension:	W8" x H44-1/2" x E13"
Lamping:	DC LED 24W
Color temperature/CRI:	2700K /90
Total lumens:	2400 Initial lumen
Beam angle:	*
Voltage:	120VAC 60Hz
Dimming type:	Triac dimming
Location rated:	Wet
Drawing by:	*

Safety Standard: 

ADDITIONAL NOTES HERE