

# Wonder

Bartoli Design  
2015

1504-23

Pendant with metal structure in the matt colours: gold, rose gold or graphite. Shade in transparent or fume borosilicate glass, supplied in three sizes: large, small and mini. Single canopy in the same finishes of the structure.



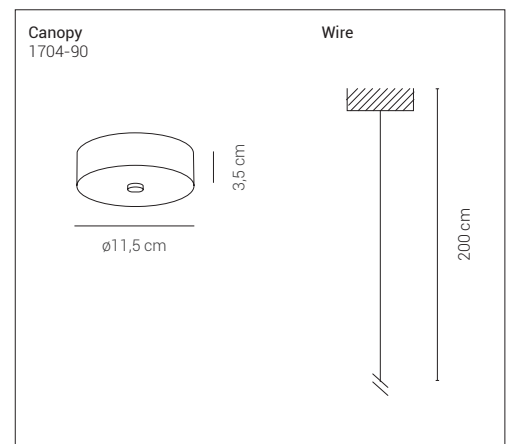
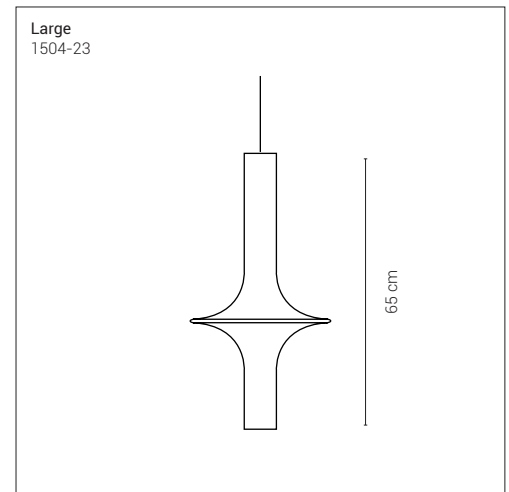
<b>Mounting</b>	Suspension
<b>Environment</b>	Indoor
<b>Materiali</b>	Metal and borosilicate glass
<b>Voltaggio</b>	230V 50/60Hz
<b>Sorgente</b>	4W LED - 3000K - CRI=90
<b>Lumen</b>	370lm - Transparent glass
<b>Lumen</b>	230lm - Fumè glass
<b>Dimming</b>	NA

## Glass finishes

○ Transparent      ● Fumè

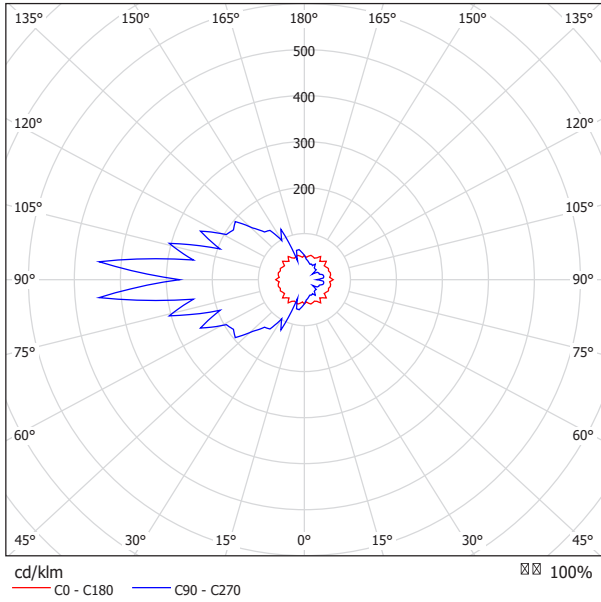
## Structure finishes

● Matt graphite      ● Matt gold      ● Matt rose gold

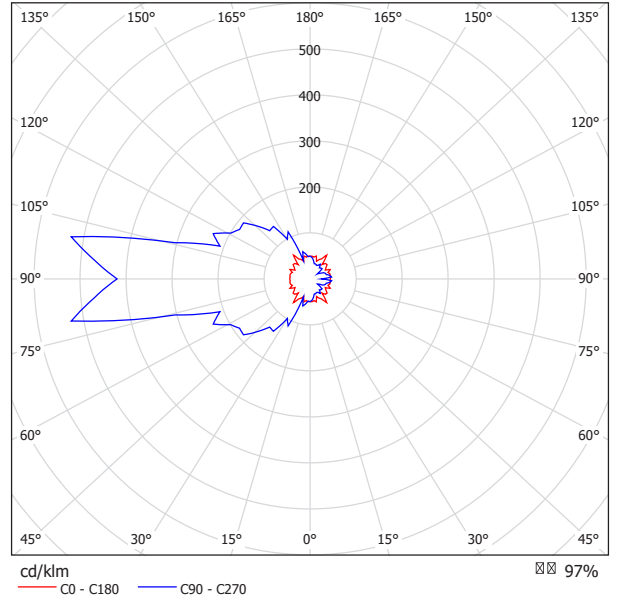


## Certification





Wonder large transparent



Wonder large fumè

# Wonder

Bartoli Design  
2015

1504-21

Pendant with metal structure in the matt colours: gold, rose gold or graphite. Shade in transparent or fume borosilicate glass, supplied in three sizes: large, small and mini. Single canopy in the same finishes of the structure.



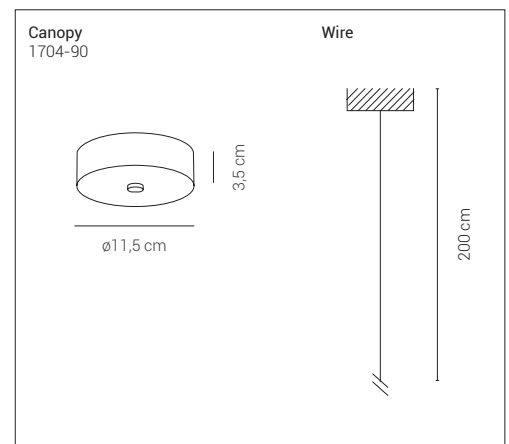
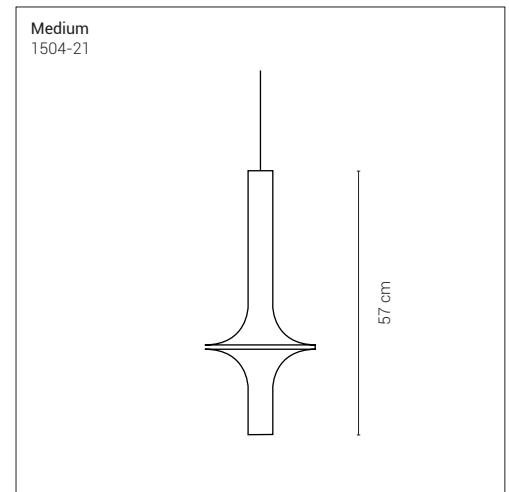
<b>Mounting</b>	Suspension
<b>Environment</b>	Indoor
<b>Materials</b>	Metal and borosilicate glass
<b>Voltage</b>	230V 50/60Hz
<b>Sorgente</b>	4W LED - 3000K - CRI=90
<b>Lumen</b>	370lm - Transparent glass
<b>Lumen</b>	230lm - Fumè glass
<b>Dimming</b>	NA

## Glass finishes

○ Transparent      ● Fumè

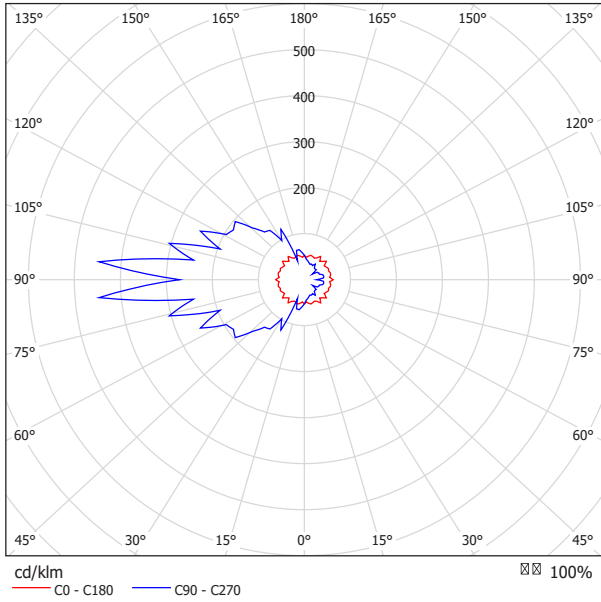
## Structure finishes

● Matt graphite      ● Matt gold      ● Matt rose gold

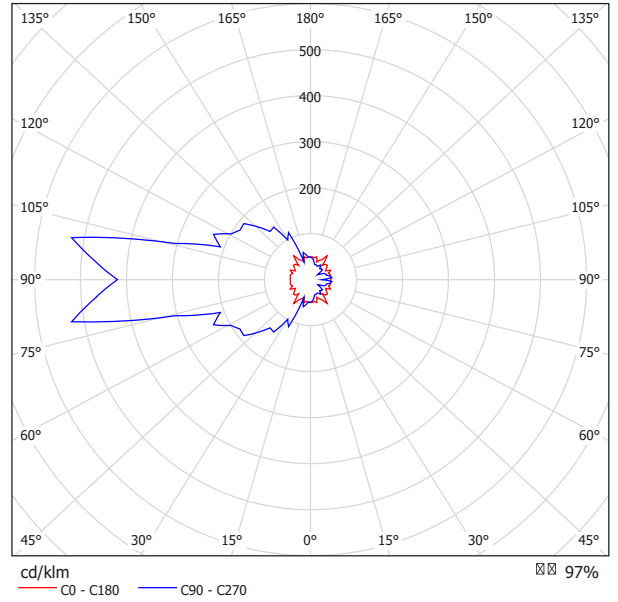


## Certification





Wonder medium trasparente



Wonder medium fumè

# Wonder

Bartoli Design  
2015

1504-20

Pendant with metal structure in the matt colours: gold, rose gold or graphite. Shade in transparent or fume borosilicate glass, supplied in three sizes: large, small and mini. Single canopy in the same finishes of the structure.



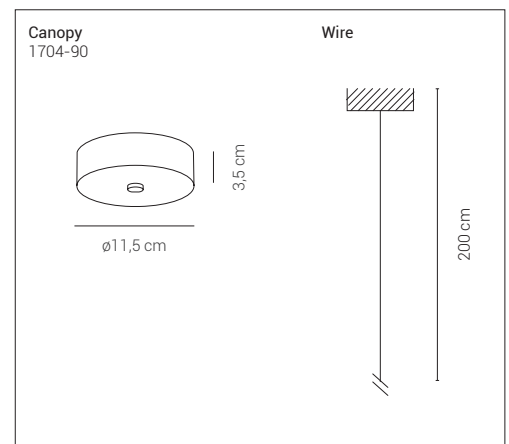
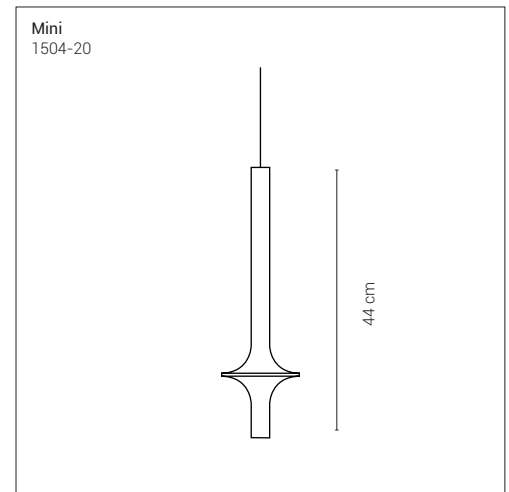
<b>Mounting</b>	Suspension
<b>Environment</b>	Indoor
<b>Materials</b>	Metal and borosilicate glass
<b>Voltage</b>	230V 50/60Hz
<b>Sorgente</b>	4W LED - 3000K - CRI=90
<b>Lumen</b>	370lm - Transparent glass
<b>Lumen</b>	230lm - Fumè glass
<b>Dimming</b>	NA

## Glass finishes

○ Transparent      ● Fumè

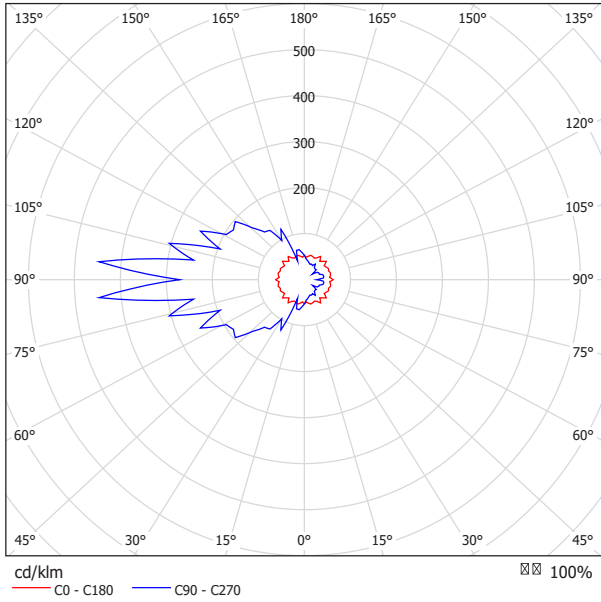
## Structure finishes

● Matt graphite      ● Matt gold      ● Matt rose gold

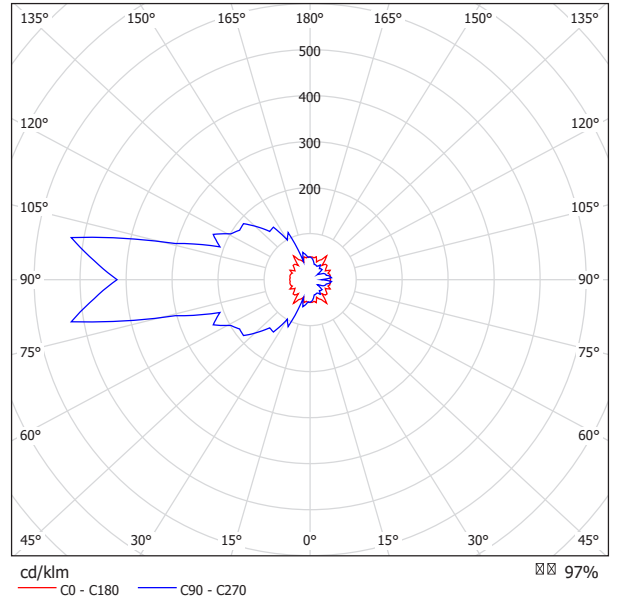


## Certification





Wonder mini transparent



Wonder mini fumè