

Mami

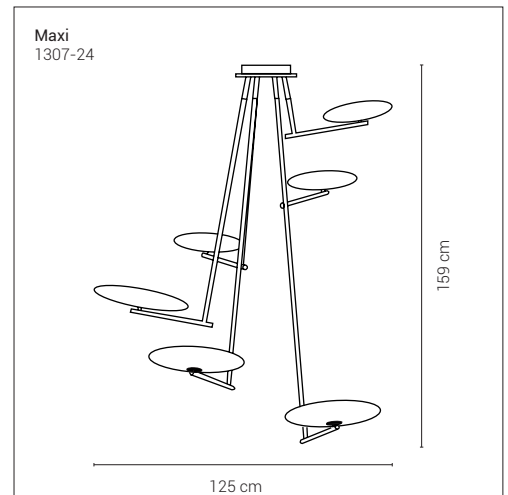
Umberto Asnago
2015

1307-24

Lamps with structure in graphite varnished metal or bronze.
Shade in white blown glass.



Mounting	Suspension
Environment	Indoor
Materials	Metal and blown glass
Voltage	230V 50/60Hz
Source	6x 10W LED - 3000K
Lumen	NA
Dimming	NA



Glass finishes

White

Metal Finishes

Brushed bronze

Matt graphite

Certification



Mami

Umberto Asnago
2015

1307-25

Lamps with structure in graphite varnished metal or bronze.
Shade in white blown glass.




Mounting	Suspension
Environment	Indoor
Materials	Metal and blown glass
Voltage	230V 50/60Hz
Source	6x 10W LED - 3000K
Lumen	NA
Dimming	NA

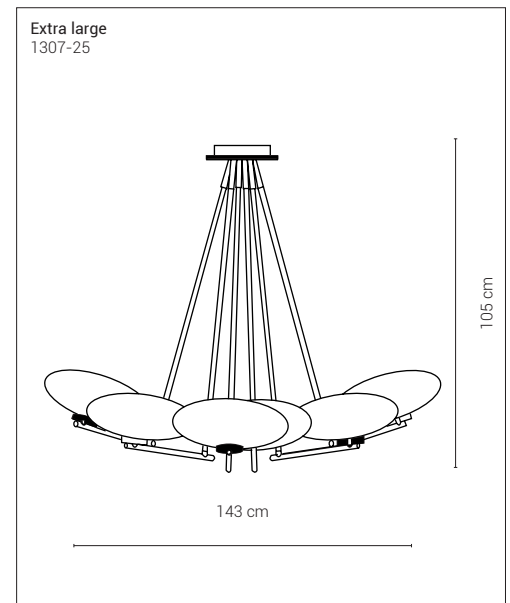
Glass finishes

 White

Metal Finishes

 Brushed bronze

 Matt graphite



Certification



Mami

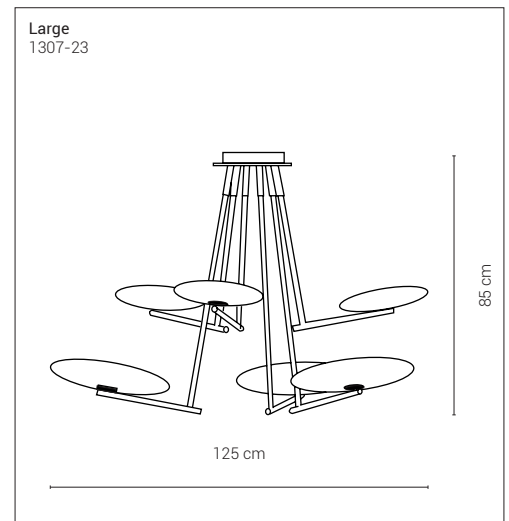
Umberto Asnago
2015

1307-23

Lamps with structure in graphite varnished metal or bronze.
Shade in white blown glass.



Mounting	Suspension
Environment	Indoor
Materials	Metal and blown glass
Voltage	230V 50/60Hz
Source	6x 10W LED - 3000K
Lumen	NA
Dimming	NA



Glass finishes

White

Metal Finishes

Brushed bronze

Matt graphite

Certification



Mami

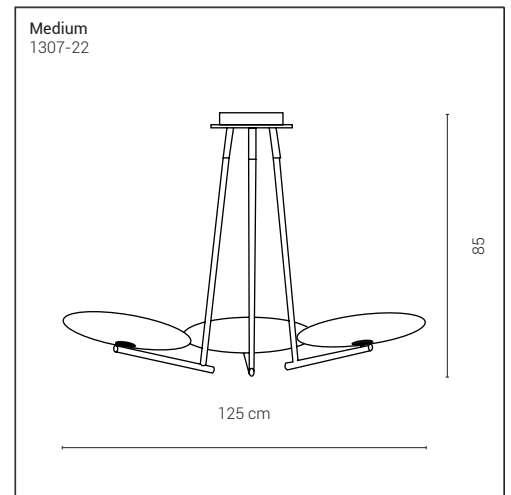
Umberto Asnago
2015

1307-22

Lamps with structure in graphite varnished metal or bronze.
Shade in white blown glass.



Mounting	Suspension
Environment	Indoor
Materials	Metal and blown glass
Voltage	230V 50/60Hz
Source	3x 10W LED - 3000K
Lumen	NA
Dimming	NA



Glass finishes

White

Metal Finishes

Brushed bronze

Matt graphite

Certification



Mami

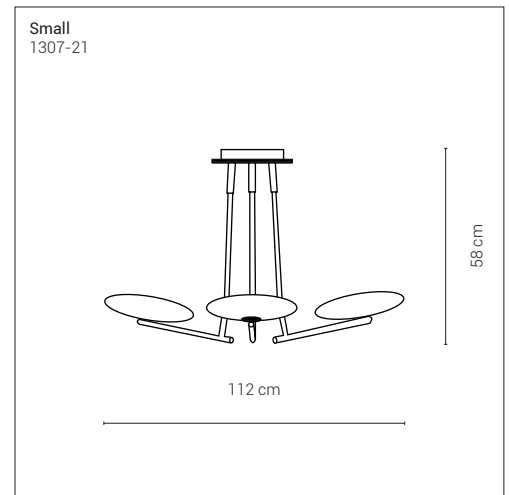
Umberto Asnago
2015

1307-21

Lamps with structure in graphite varnished metal or bronze.
Shade in white blown glass.



Mounting	Suspension
Environment	Indoor
Materials	Metal and blown glass
Voltage	230V 50/60Hz
Source	3x 10W LED - 3000K
Lumen	NA
Dimming	NA



Glass finishes

White

Metal Finishes

Brushed bronze

Matt graphite

Certification



Mami

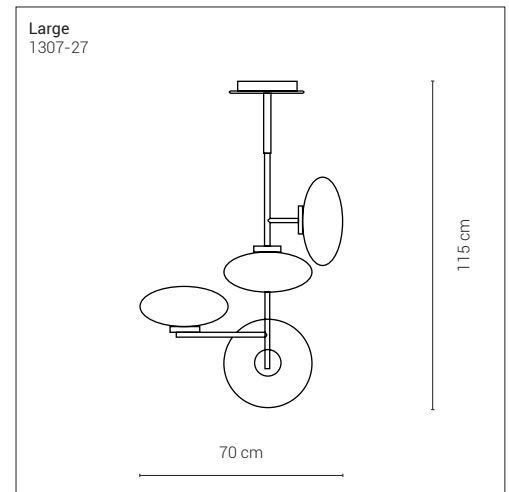
Umberto Asnago
2015

1307-27

Lamps with structure in graphite varnished metal or bronze.
Shade in white blown glass.



Mounting	Suspension
Environment	Indoor
Materials	Metal and blown glass
Voltage	230V 50/60Hz
Source	4x 10W LED - 3000K
Lumen	NA
Dimming	NA

**Glass finishes**

White

Metal Finishes

Brushed bronze

Matt graphite

Certification

Mami

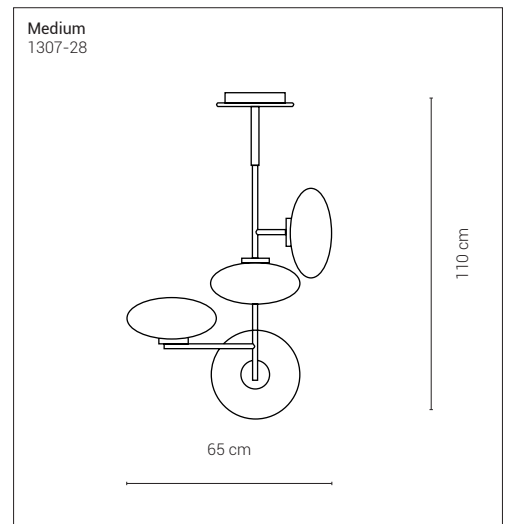
Umberto Asnago
2015

1307-28

Lamps with structure in graphite varnished metal or bronze.
Shade in white blown glass.



Mounting	Suspension
Environment	Indoor
Materials	Metal and blown glass
Voltage	230V 50/60Hz
Source	2x 10W LED + 2x 6W LED - 3000K
Lumen	NA
Dimming	NA



Glass finishes

White

Metal Finishes

Brushed bronze

Matt graphite

Certification



Mami

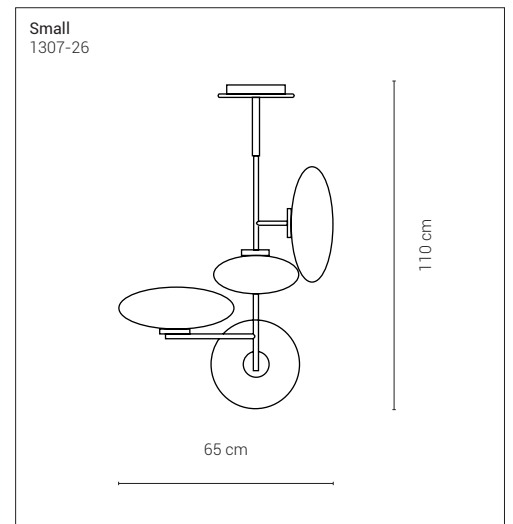
Umberto Asnago
2015

1307-26

Lamps with structure in graphite varnished metal or bronze.
Shade in white blown glass.



Mounting	Suspension
Environment	Indoor
Materials	Metal and blown glass
Voltage	230V 50/60Hz
Source	4x 6W LED - 3000K
Lumen	NA
Dimming	NA



Glass finishes

○ White

Metal Finishes

● Brushed bronze

● Matt graphite

Certification



Mami

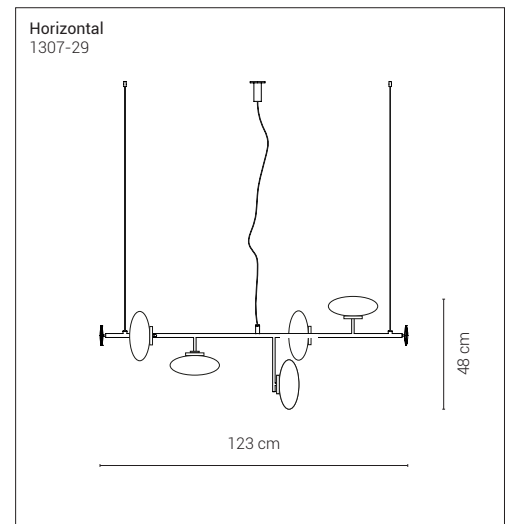
Umberto Asnago
2015

1307-29

Lamps with structure in graphite varnished metal or bronze.
Shade in white blown glass.



Mounting	Suspension
Environment	Indoor
Materials	Metal and blown glass
Voltage	230V 50/60Hz
Source	5x 6W LED - 3000K
Lumen	NA
Dimming	TRIAC



Glass finishes

White

Metal Finishes

Brushed bronze

Matt graphite

Certification

