

Elisabeth

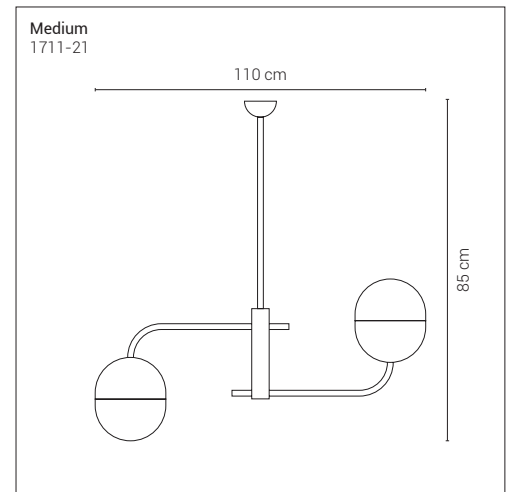
Carlo Colombo
2017

1711-21


Lamps with structure in glossy black chrome. Table lamp available with base in Carrara white marble or in metal.



Mounting	Suspension
Environment	Indoor
Materials	Metal
Voltaggio	230V 50/60Hz
Sorgente	4x 10W LED - 3000K - On demand LED 2700K
Lumen	4x 900lm
Dimming	TRIAC



Metal finishes

 Glossy black chrome

Certification



Elisabeth

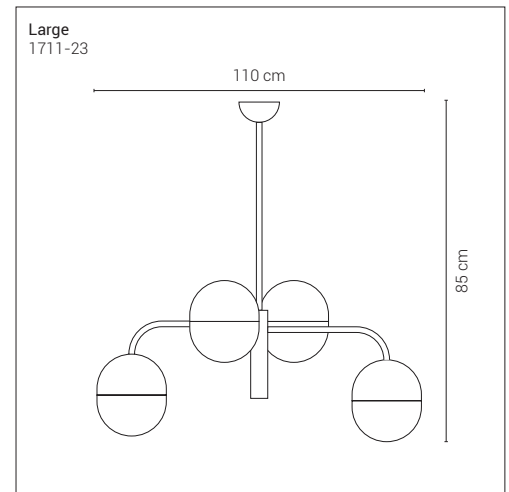
Carlo Colombo
2017

1711-23


Lamps with structure in glossy black chrome. Table lamp available with base in Carrara white marble or in metal.



Mounting	Suspension
Environment	Indoor
Materials	Metal
Voltage	230V 50/60Hz
Source	8x 10W LED - 3000K Double lighting - On demand LED 2700K
Lumen	8x 900lm
Dimming	TRIAC



Metal finishes

 Glossy black chrome

Certification

