

Acorn

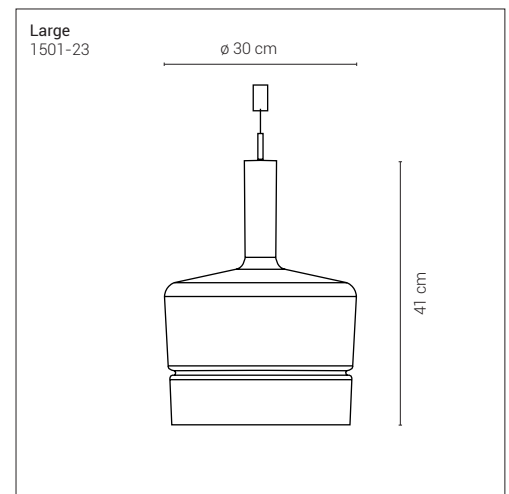
Matteo Bianchi
2017

1501-23

Pendant lamp with shade in concrete and frosted or transparent glass.
Protection IP44 against water from any direction.



Mounting	Suspension
Environment	Indoor - IP44
Materials	Concrete and glass
Voltage	230V 50/60Hz
Source	20W LED - 3000K - CRI=90
Lumen	780lm
Dimming	TRIAC



Glass finishes

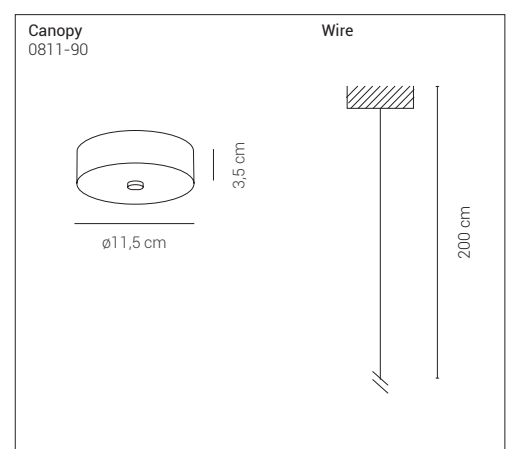
- Frosted
 Transparent

Concrete finishes

- Natural concrete

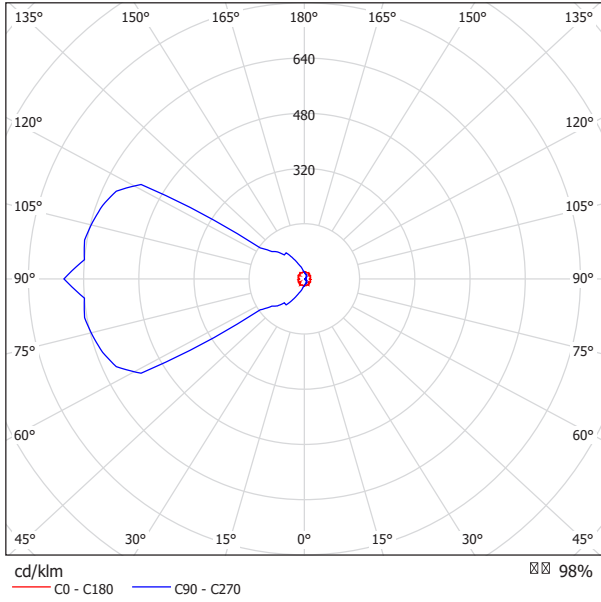
Canopy finishes

- Titanium
 White



Certification





Acorn

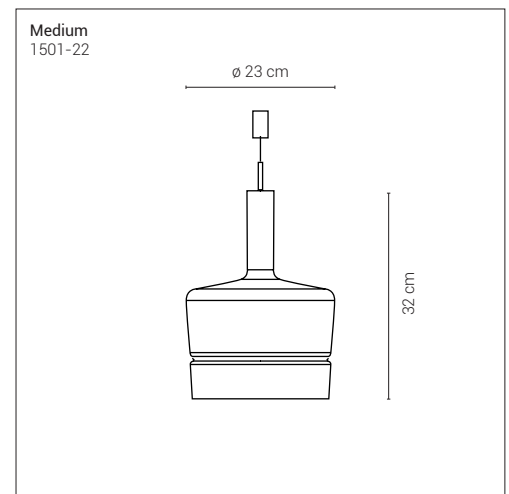
Matteo Bianchi
2017

1501-22

Pendant lamp with shade in concrete and frosted or transparent glass.
Protection IP44 against water from any direction.



Mounting	Suspension
Environment	Indoor - IP44
Materials	Concrete and glass
Voltage	230V 50/60Hz
Source	15W LED - 3000K - CRI=90
Lumen	570lm
Dimming	TRIAC



Glass finishes

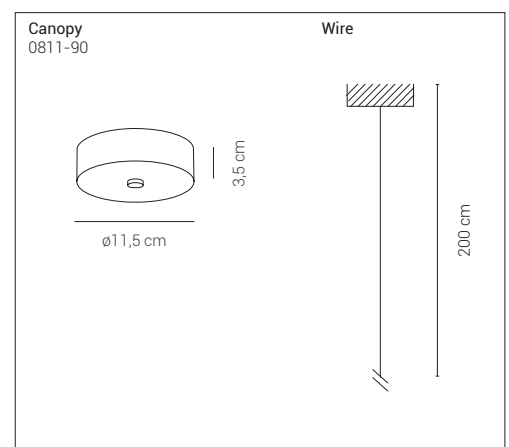
- Frosted
 Transparent

Concrete finishes

- Natural concrete

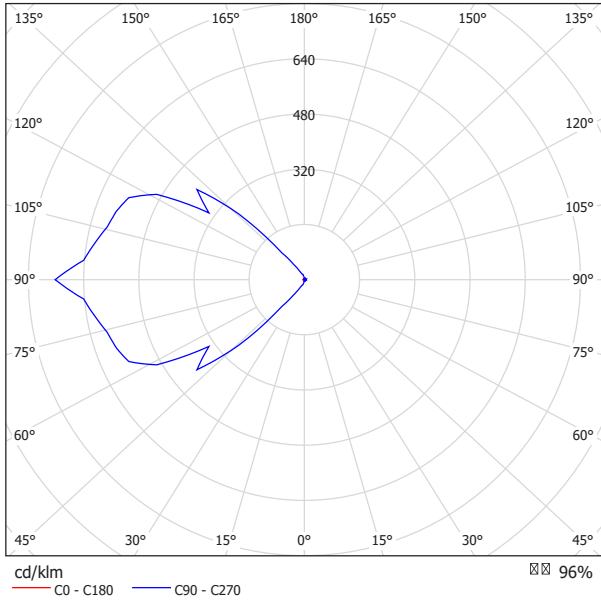
Canopy finishes

- Titanium
 White



Certification





Acorn

Matteo Bianchi
2017

1501-20

Pendant lamp with shade in concrete and frosted or transparent glass.
Protection IP44 against water from any direction.



Mounting	Suspension
Environment	Indoor - IP44
Materials	Concrete and glass
Voltage	230V 50/60Hz
Source	8W LED - 3000K - CRI=90
Lumen	350lm
Dimming	TRIAC

Glass finishes

Frosted Transparent

Concrete finishes

Natural concrete

Canopy finishes

Titanium White

Certification

