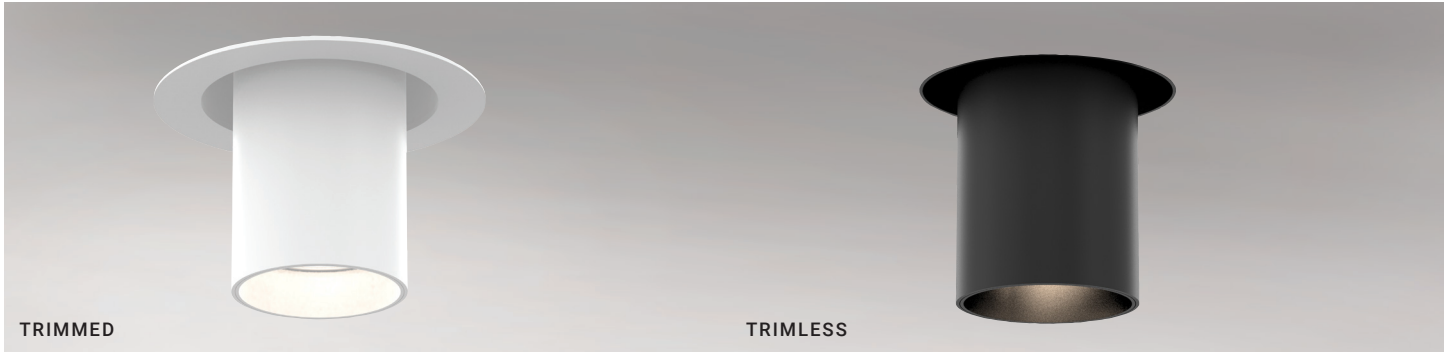


PROJECT: _____

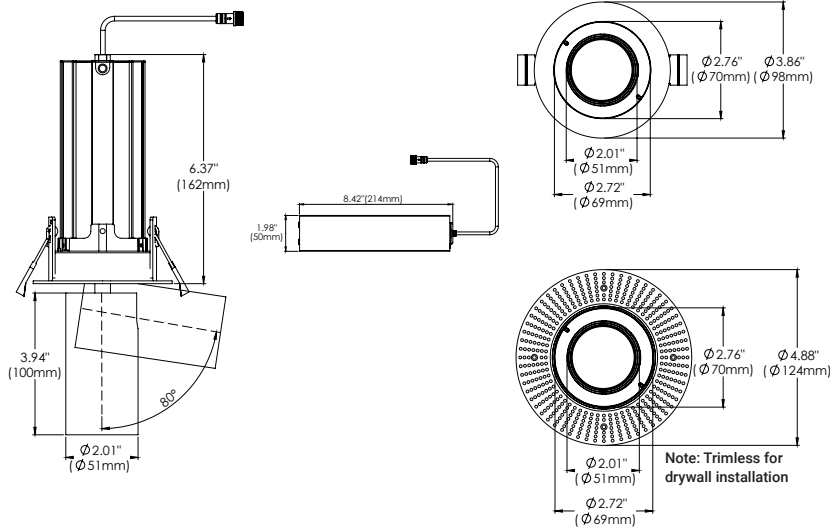
TYPE: _____ DATE: _____

NOTES: _____



FEATURES

Tango is a specification grade LED recessed family, offering multiple options for design and functionality. Round and square, trim and trimless, 1, 2 and 3 light options and several task specific trim designs. Tango features 90+ CRI high performance LED chips, drivers with multi dimming capabilities and industry leading ease of installation and services.



FUNCTIONALITY



STANDARD DRIVER BOX: MINIMUM HEIGHT CLEARANCE: 9.5"
MAX CEILING TRIM THICKNESS: 1.25"
TRIMLESS THICKNESS: 1.5"

SPECIFICATIONS

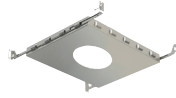
FIXTURE BODY	18 gauge powder coated steel body. Aluminum powder coated trim or trimless mesh plate
INSTALLATION TYPE	Remodel/existing ceiling N/C plate on page 2
CUT HOLE	Trim & Trimless: \varnothing 3 1/4"
COLOR FINISH	Black/White/Custom
LIGHT MODULE	High output, high efficiency LED COB. Lumen Maintenance: 70%@50,000 hrs
INPUT VOLTAGE	120V - 277V
WATTAGE	15W IC Rated
POWER SUPPLY	ERP 15W, Constant Current 350mA power supply Minimum operating temperature: -30° Enclosed in a Junction box with 12" flexible cable to mate to module connector
ADJUSTABILITY	80°
ROTATION	355°
FUNCTIONALITY	Egress/Regress
CRI	90+
DIMMING	TRIAC/ELV/0-10V
LUMENS	15W, 830 Lumens
CCT OPTIONS	3000K/4000K
REFLECTORS	(W) Wide 38°
DIFFUSERS	(CL) Clear
APPROVAL	Damp
ELECTRICAL APPROVAL	Compliant
WARRANTY	

SPECIFICATION GUIDE

TANGO	1-LIGHT ROUND	TRIM/ TRIMLESS		FINISH	LIGHT MODULE x 1		WATTAGE		CCT	
TGO	1R	T	TRIM	01	BLACK	PD	PULLDOWN	15	15W	30
		TL	TRIMLESS	02	WHITE					40

ORDERING GUIDE EXAMPLE:
Tango / 1-Light Round / Trim / White / Pulldown / 15W / 4000K
CODE: **TGO-1R-T-02-PD-15-40**

NEW CONSTRUCTION PLATES

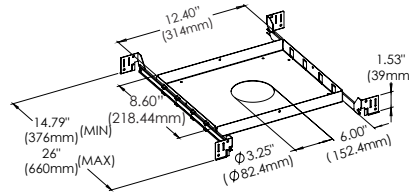


**NEW CONSTRUCTION PLATE
TRIM & TRIMLESS**

30534-018

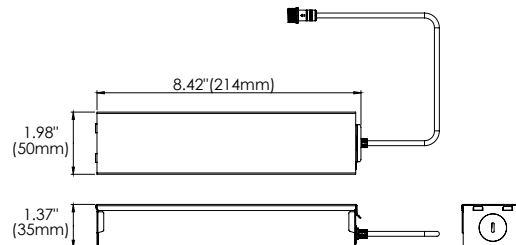
CUT HOLE:

Trim & Trimless:
ø3 1/4"



DRIVERS

- Compatible with TRIAC (forward-phase or leading-edge) ELV (reverse-phase or trailing edge) and 0-10V dimmers.
- ESSxxxW models: TRIAC and ELV dimming only at 120 Vac
- ESSxxxW models: ELV dimming only at 230 Vac
- 90° C maximum case hot spot temperature
- Class 2 power supply
- Lifetime: 50,000 hours at 70° case hot spot temperature (some models have a higher lifetime)
- IP64-rated (IP66 for ESST) case with silicone-based potting
- Protections: Output open load, over-current and short-circuit (hiccup), and over-temperature with auto recovery.
- Conducted and radiated EMI: Compliant with FCC CFR Title 47 Part 15 Class B (120 Vac) and Class A (277 Vac), and EN55015 (CISPR 15) at 220, 230, and 240 Vac.
- Complies with ENERGY STAR®, DLC (DesignLight Consortium®) and CA Title 24 technical requirements
- Worldwide safety approvals



PHOTOMETRICS

