



LINEA

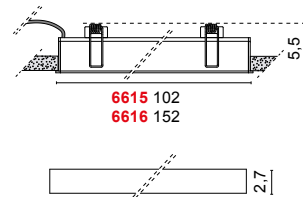
System of recessed linear LED fixtures with minitrims, the small methacrylate trim allows easy installation avoiding expensive plastering operations.

Profile in white satin methacrylate and heatsink in anodized aluminum. Fixtures are produced in different lengths from 12 to 302 cm with modularity every 10 cm (see table). Three light tones available (2700 to 4000K) and RGB options. Upon request we prepare fixtures with angled cuts and other light tones.

design: U.T. EGOLUCE

LINEA – width 2,7 cm.
The standard option is fitted with flexible LED strip 15 W/m - 1700Lm/m gross output (4000K).
ETL version available upon request

LINEA MAXI – width 5,4 cm.
The standard option is fitted with flexible LED strip 18W/m - 2000Lm/m gross output (4000K).



6615 Linea
.01 Bianco - White

Color temperature	Light sources	lm
/W 4000K	LED 24V 15W	1840lm
/WW 3000K	LED 24V 15W	1650lm
/XW 2700K	LED 24V 15W	1560lm

Versione ETL disponibile a richiesta.
ETL version available upon request.

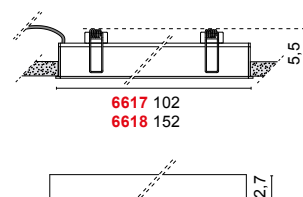
6616 Linea
.01 Bianco - White

Color temperature	Light sources	lm
/W 4000K	LED 24V 22.5W	2760lm
/WW 3000K	LED 24V 22.5W	2475lm
/XW 2700K	LED 24V 22.5W	2340lm

Versione ETL disponibile a richiesta.
ETL version available upon request.

- 6615 101,5x2,2 cm.
- 6616 151,5x2,2 cm.

LINEA RGB



6617 Linea RGB
.01 Bianco - White

Light sources
LED 14,4W 24V

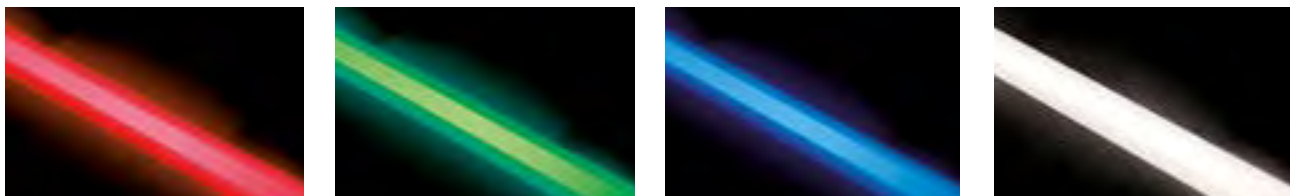
Versione ETL disponibile a richiesta.
ETL version available upon request.

6618 Linea RGB
.01 Bianco - White

Light sources
LED 21,6W 24V

Versione ETL disponibile a richiesta.
ETL version available upon request.

- 6617 101,5x2,2 cm.
- 6618 151,5x2,2 cm.



CUSTOM SIZE

Table of available lengths on request. Measures are referred to complete fixtures including closing heads.
Attention: Without closing heads: - 1cm.

All cuts can be done in our local Canadian factory, cut to size and with the LED strip of your choice
The entire system is ULc certified with our standard drivers available

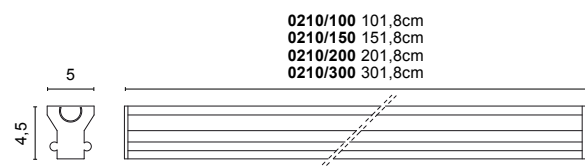
Chose from:

- 4.8w/m
- 9.6w/m
- 14.5w/m

RGB and RGBww available upon special requests

Remote 24v driver
Phase diming
0-10v
and Lutron upon request

Accessori - Accessories



- 0210/100 101,8cm
- 0210/150 151,8cm
- 0210/200 201,8cm
- 0210/300 301,8cm

0210

Wallbox for concrete.

- /100 101,8cm 6x105x5cm
- /150 151,8cm 6x155x5cm
- /200 201,8cm 6x205x5cm
- /300 301,8cm 6x305x5cm



0242

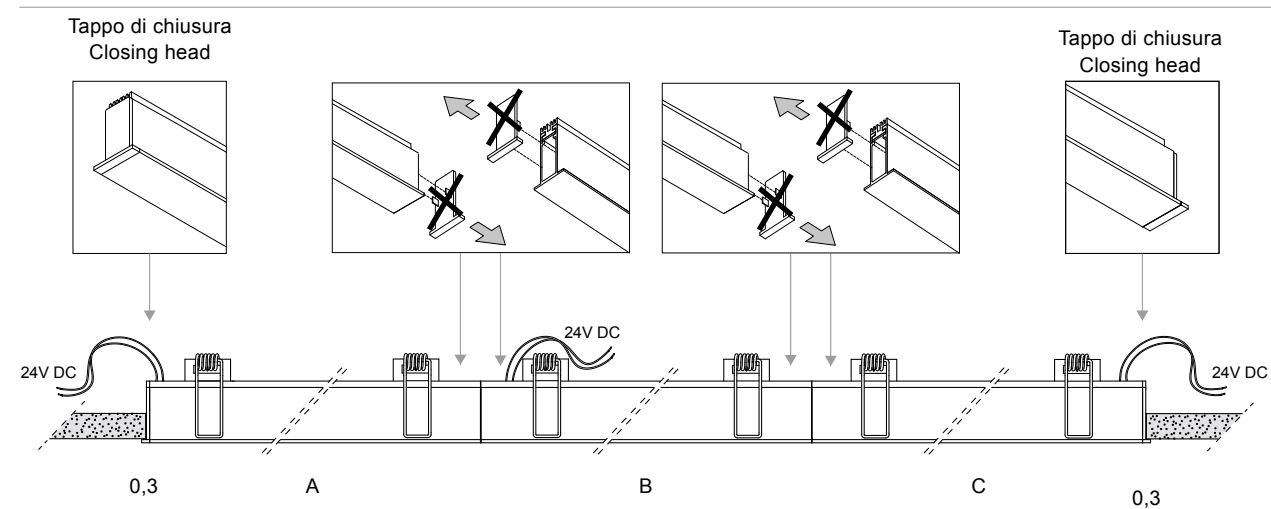
Profilo angolare opzionale per facilitare l'installazione nel cartongesso.
Optional L shaped profile to ease installation into plasterboard.

- /100 100cm
- /200 200cm
- /300 300cm



Lunghezze superiori ai 3 metri si ottengono accostando i singoli elementi, il foro d'incasso si calcola con la seguente formula:
Configurations longer than 3 meters can be obtained by putting single fittings side by side in a row, the cutout length can be calculated with the formula hereunder:

Esempi - Examples \square 2,2xL cm.



$$L = 0,3 + A + B + C + 0,3$$

A B C = Lunghezza delle lampade senza tappi di chiusura. Lamps length without closing heads.



Su richiesta sono disponibili soluzioni angolari a 90° - 90° angled options are available upon request

