



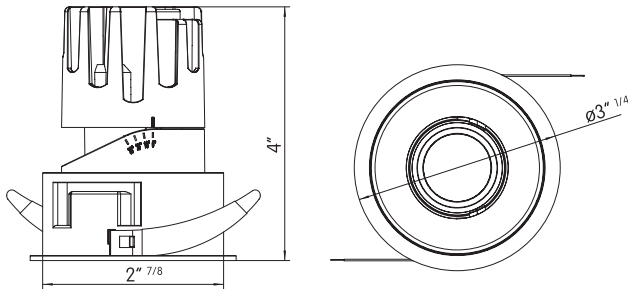
Spec-grade performance LED downlights. Optimal for hospitality, high-end residential and corporate projects.

Pi downlights offer precise optics, a wide range of mounting options, reflector finishes, and optical accessories.

- Gear driven tilt 0 to 30
- Lockable rotation 360
- Up to 1,200lm Output
- 15° to 60° beam angles
- Dim-to-Warm and Tunable White capability
- Specific driver brands available on request
- Custom finishes and mounting on request
- 5 Years limited warranty

Code example:

PiA-NIC-1-T-W-9-WD-M-WF-W-1-S-0



| Series | Housing | H* | Voltage | Trim |
|----------------|-------------------|-------|---------|------------|
| PiA INT | Remodel | 4 in. | 1 120V | T Trim |
| NIC | Non-IC (New) | 4 in. | 2 240V | 0 Trimless |
| ICN | IC (New) | 5 in. | 3 277V | M Millwork |
| ICA | IC-Airtight (New) | 5 in. | U Unv. | |
| CHP | Chicago Plenum | 5 in. | | |

* Overall height of housing

| Output* | CRI | Color Temp | Beam | Reflector | Finish | Dimming | Accessories | Emergency |
|----------------------------|-----------|-------------------------------|------|--------------------|--------------|---------------------|----------------|-----------|
| L 500lm (7W) | 8 +80 CRI | 27 2700 K | N 15 | WF Flat White | W Flat White | 0 No Dimming | D Diffuse Lens | 0 No |
| S 850lm (11W) | 9 +90 CRI | 30 3000 K | M 25 | BF Flat Black | B Flat Black | 1 0-10V to 1% | S Solite Lens | 1 30 min. |
| H 1200lm (15W) | | 35 3500 K | F 40 | BN Black Nickel | S Silver | 2 0-10V to Fade-off | H Honeycomb | 2 60 min. |
| W ¹ 950lm (15W) | | 40 4000 K | B 60 | SC Specular Chrome | | E ELV Dimming | L Linear Lens | 3 90 min. |
| | | WD ² 3000 K-1900 K | | DC Diffuse Chrome | | L Lutron Ecosystem | W Wet Location | |
| | | TW ² 2700 K-5000 K | | BG Bright Gold | | D DALI to 1% | | |
| | | | | DG Diffuse Gold | | | | |

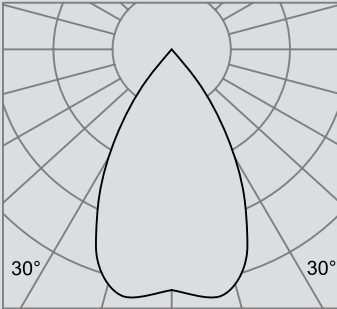
Notes:

* Denotes Delivered Output at 4,000°K CRI+80
¹ Denotes output specific to Dim-to-Warm and Tunable White features.
² Dim-to-Warm and Tunable White only available in CRI +90.
 Check with Factory for Lead-times.
 Bold Lighting reserves the right to make technical changes without notice.



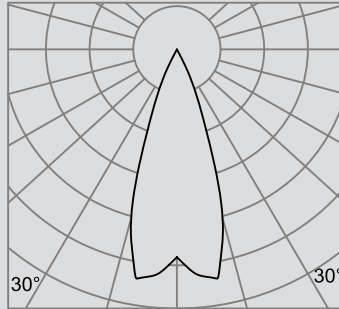
Photometric data: Type C Polar Curves

Batwing Distribution 60°



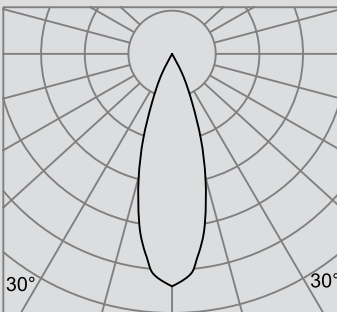
Max. 820 cd

Flood Distribution 40°



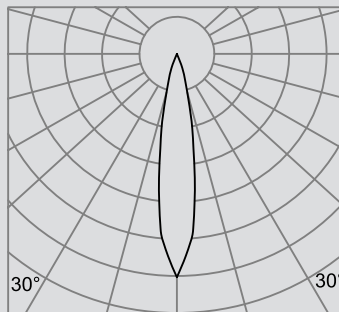
Max. 2,160 cd

Medium Distribution 25°



Max. 2,710 cd

Narrow Distribution 15°



Max. 6,010 cd

Delivered Lumen Output

| Output | Consumption | CRI 80 | | | CRI 90 | | |
|--------|-------------|--------|--------|--------|--------|--------|--------|
| | | 2700K | 3000K | 4000K | 2700 K | 3000 K | 4000 K |
| S | 9W | 896lm | 944lm | 984lm | 796lm | 944lm | 832lm |
| H | 13 W | 1200lm | 1268lm | 1320lm | 1000lm | 1064lm | 1120lm |


LABELS:

 ETL tested to UL standards 1598, Dry/Wet listings

IC/Airtight, compliant. Chicago Plenum Available

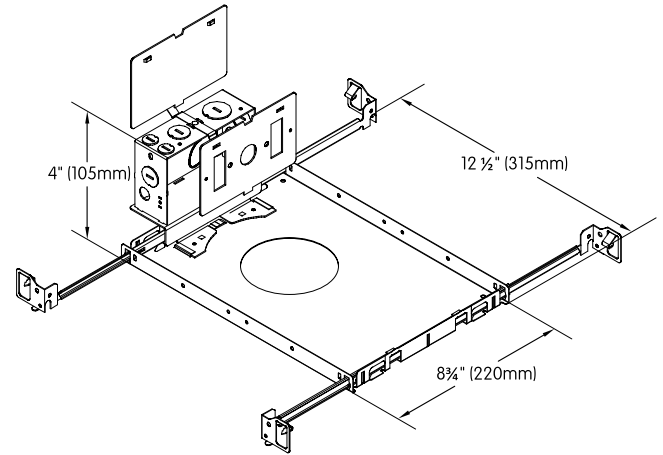
 CE Certified

 CCC Certified to GB7000

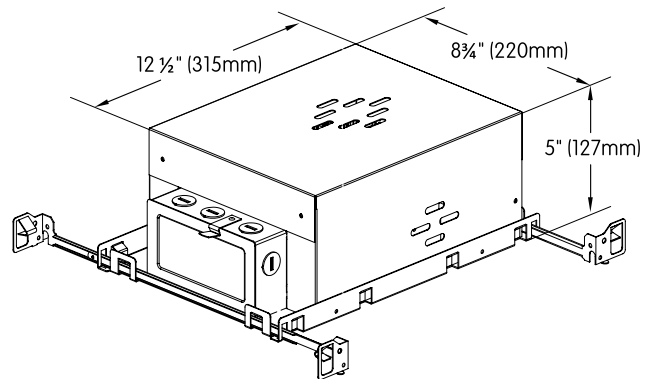
 JA8 Certified to Title 24 standards

WARRANTY: 5 year limited on LED and driver. See website for details

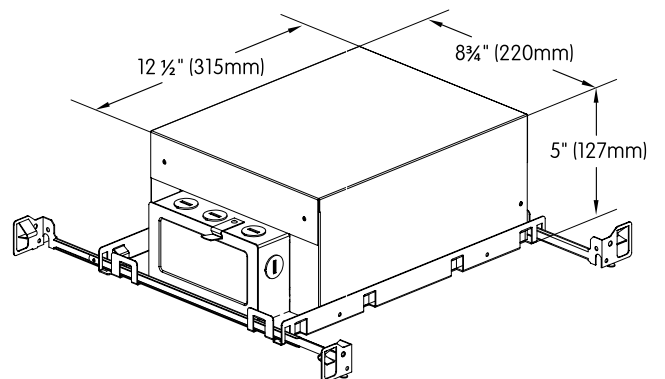
NON-IC HOUSING



IC HOUSING



AIRTIGHT IC HOUSING



Bold Lighting

Atlanta, Georgia, USA
www.boldlighting.us

e: info@boldlighting.us t: +1-833-BOLD-1-US +1-833-265-3187