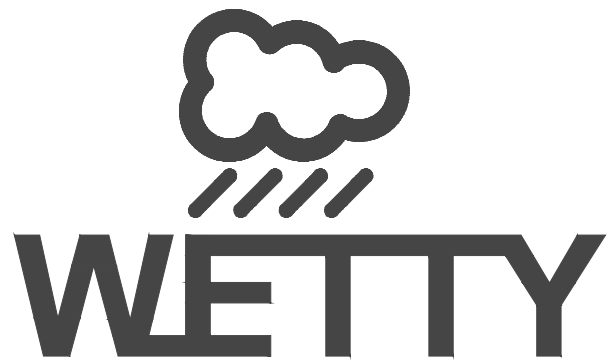
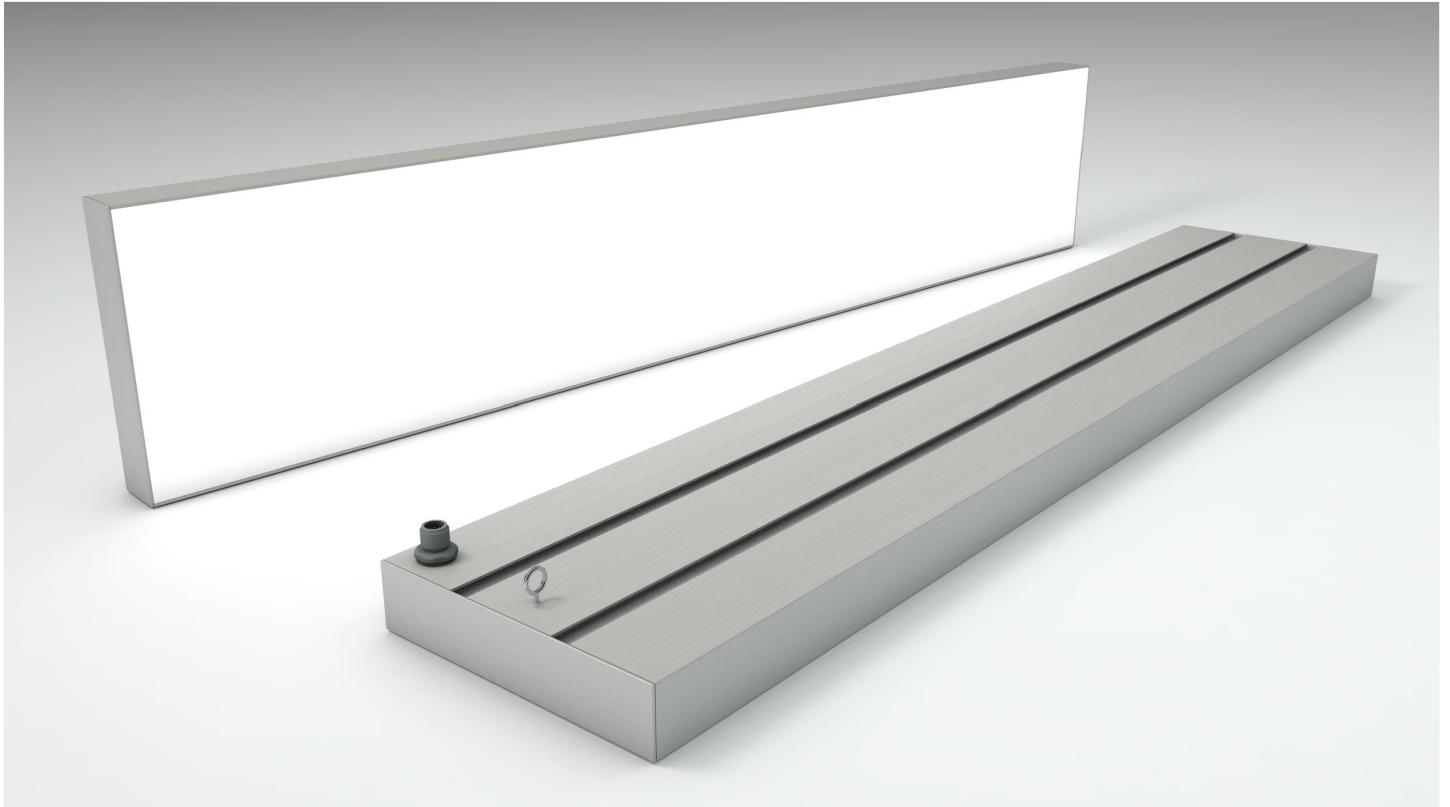


*BACKLIGHT*



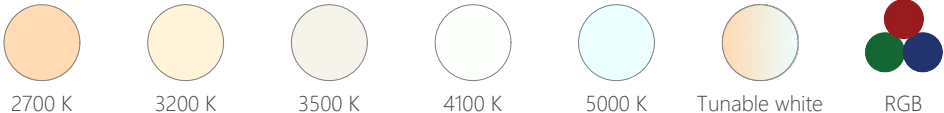





4	TECHNICAL SPECS
5	VIEWS
6	SECTIONS
7	STANDARD
8	CONNECTION OPTIONS
10	MOUNTING SYSTEMS
12	CASE STUDY

# TECHNICAL SPECS

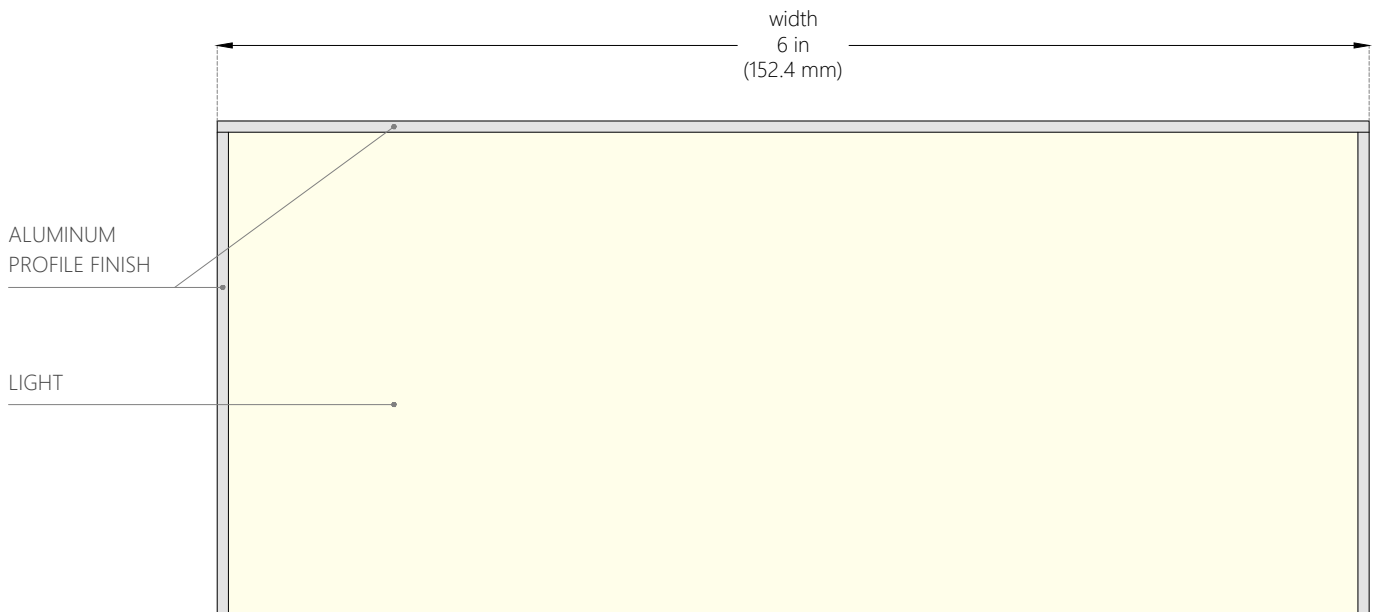
## GENERAL SPECIFICATION

DIMENSION	INCHES width 6 in MM width 152.4 mm  INCHES / MM thickness (see p. 6)	INCHES length 6.0 to 120.0 in MM length 152.4 to 3048.0 mm
MOQ	65 linear feet (20 linear meters)	
COLOUR TEMPERATURES	 2700 K    3200 K    3500 K    4100 K    5000 K    Tunable white    RGB and other K under request	
INPUT VOLTAGE	24V DC	
DRIVER	AC DC 24V DC OUTPUT (class 2 Power Unit)	
DIMMABILITY	by all existing systems	
POWER CONSUMPTION	Standard bright	4.5 W per linear ft (14 W per linear mt)
	High bright *	9.0 W per linear ft (28 W per linear mt)
WEIGHT	1.7 lbs per linear ft (5.5 Kg per linear mt)	
IP GRADE	IP65 WET	
CRI	> 95	
LUMEN DELIVERED	Standard bright	280 lm per linear ft (890 lm per linear mt)
	High bright *	570 lm per linear ft (1632 lm per linear mt)
LIFE TIME	70.000 hrs	
WARRANTY	3 Years (36 month)	
CERTIFICATIONS		

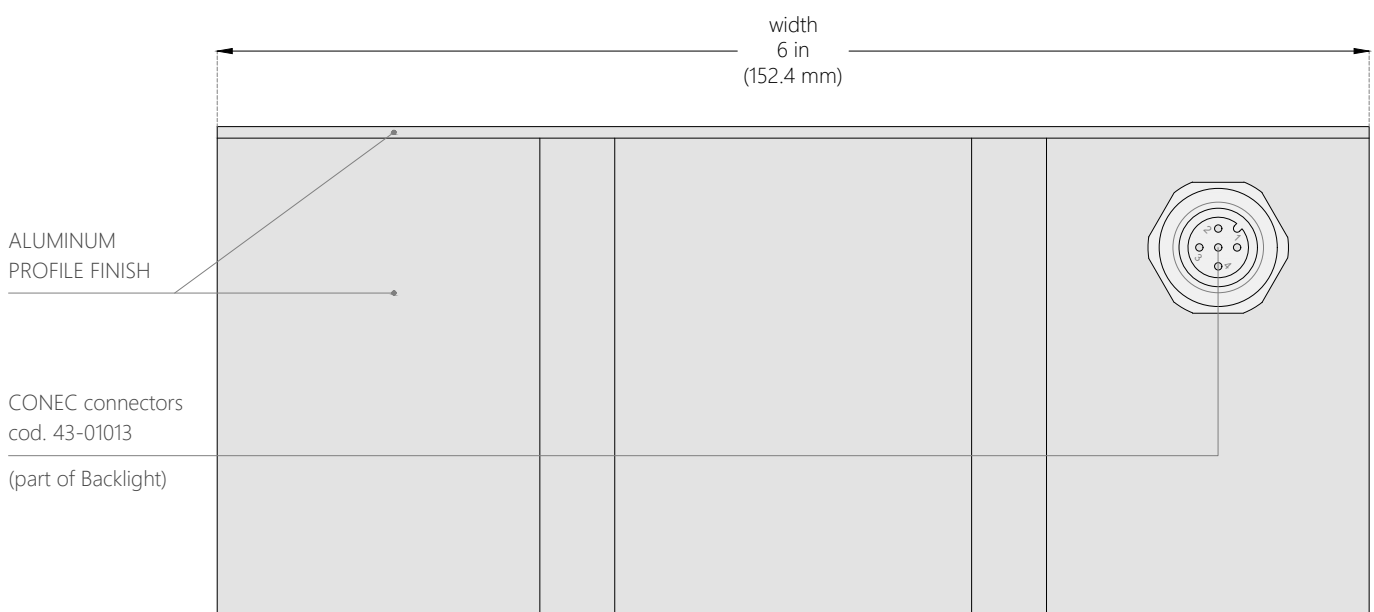
\* high bright on request

# VIEWS

## LIGHT VIEW

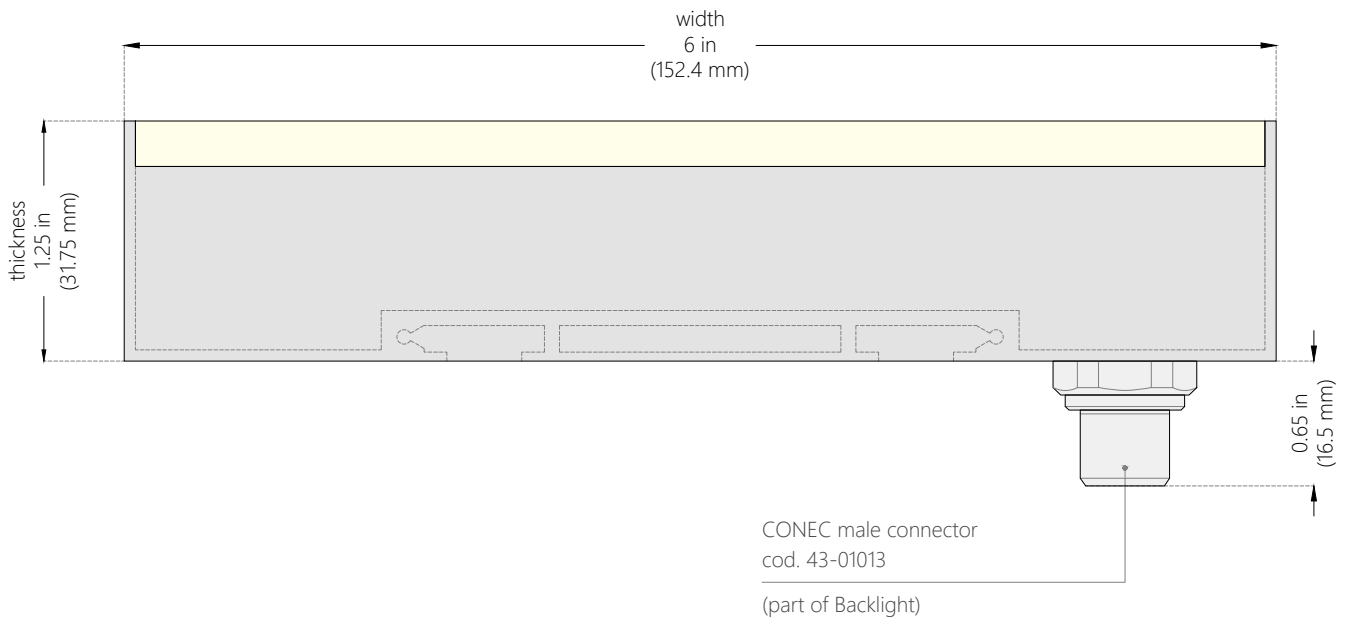


## REAR VIEW

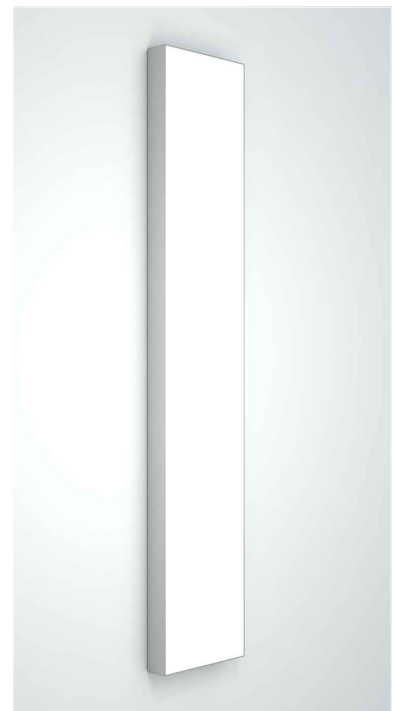
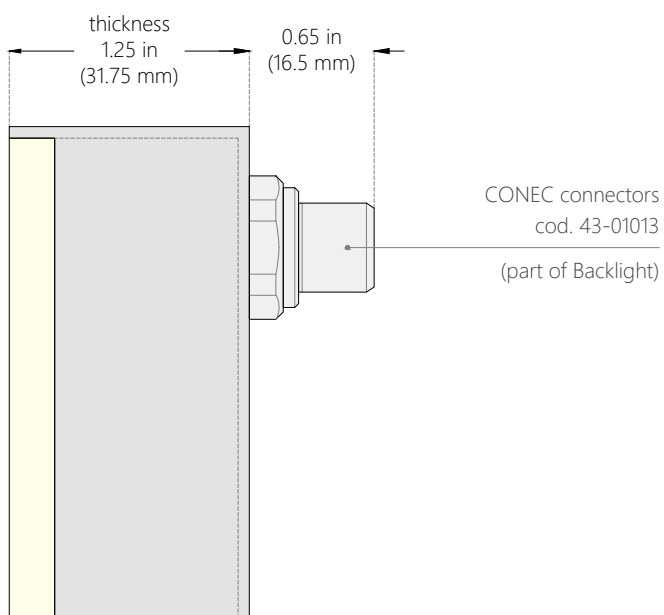


# SECTIONS

## CROSS SECTION



## LONGITUDINAL SECTION



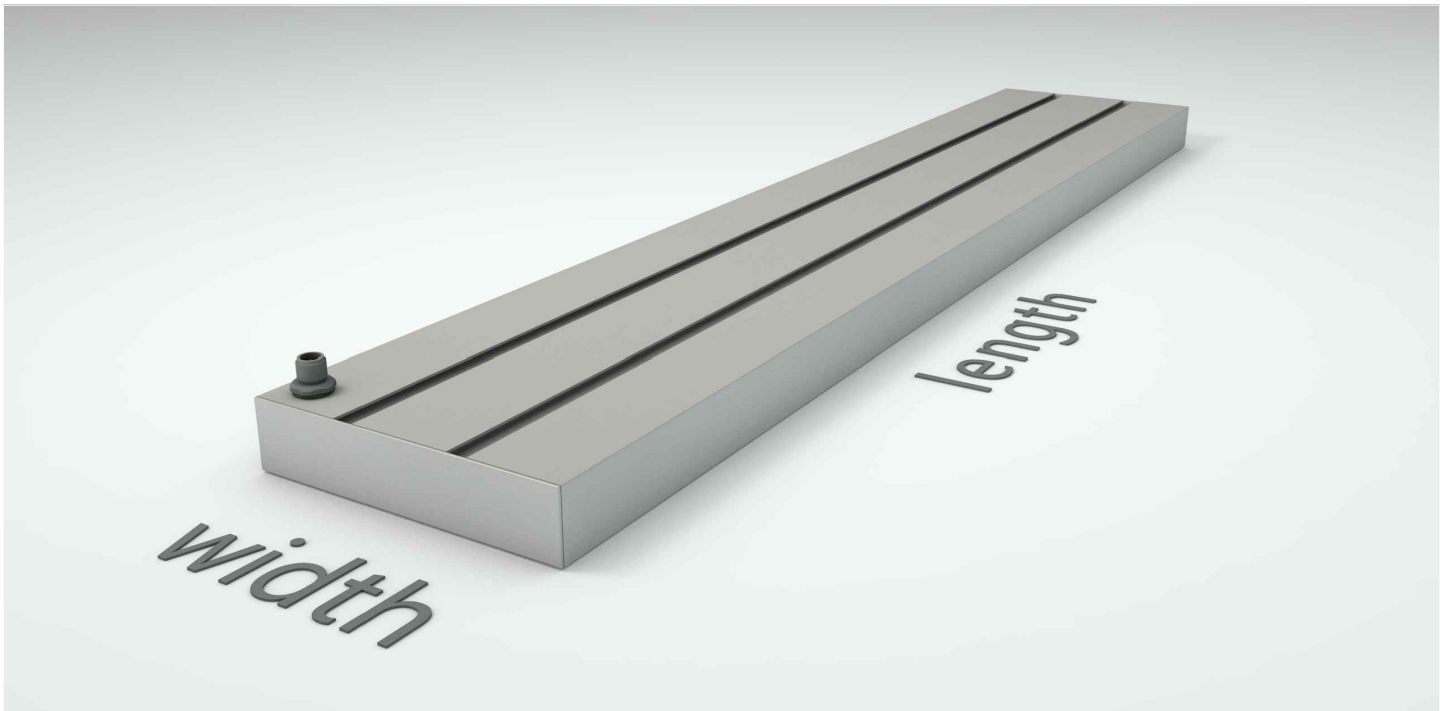
# STANDARD

4.5 W per line ft (14 W per linear meter)

name	width	length	thickness *	light temps. available	cable options	lumen delivered	use	mounting system
WETTY	6 in 152.4 mm	min 6.0 in max 120.0 in (min 152.4 mm) (max 3048 mm)	1.25 in (31.75 mm) (see p. 6)	2700 K 3200 K 3500 K 4100 K 5000 K Tunable W RGB	REAR (see p. 8-9)	280 lm/ft (890 lm/mt **)	CEILING WALL FLOORING	MAGNETIC or CUSTOM (see p. 10-11)

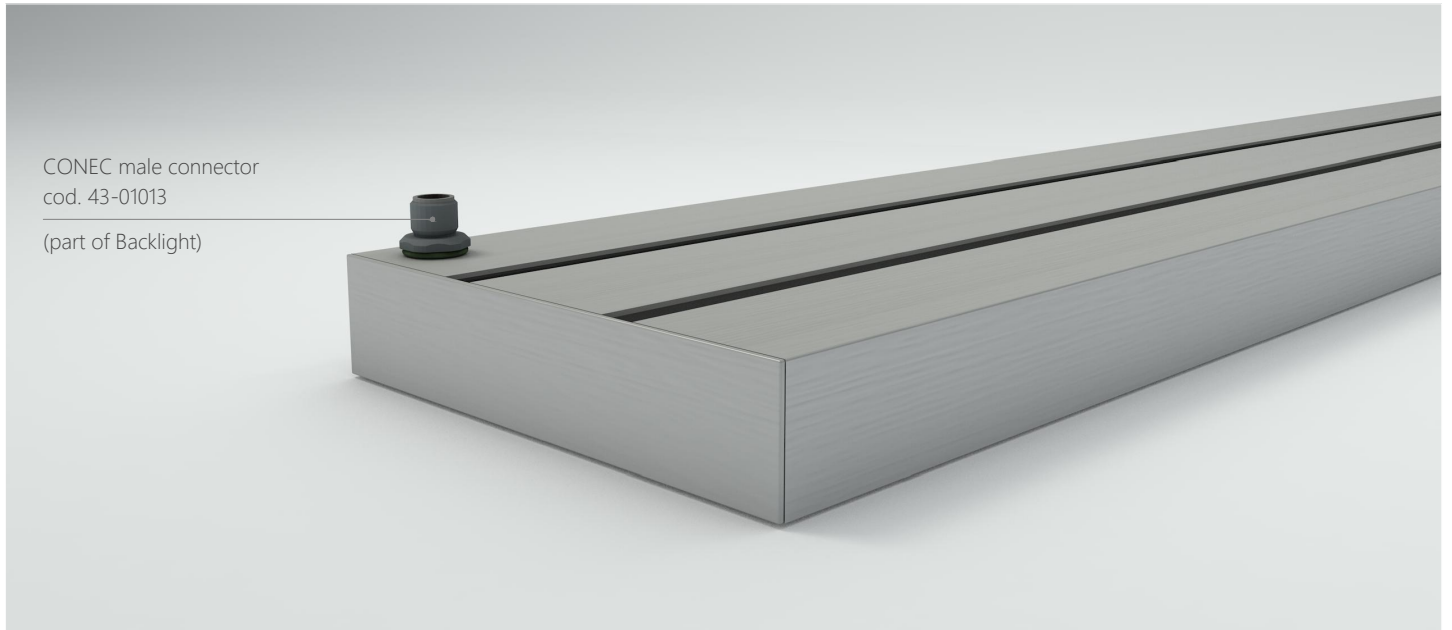
\* excluding mounting systems

\*\* high bright on request

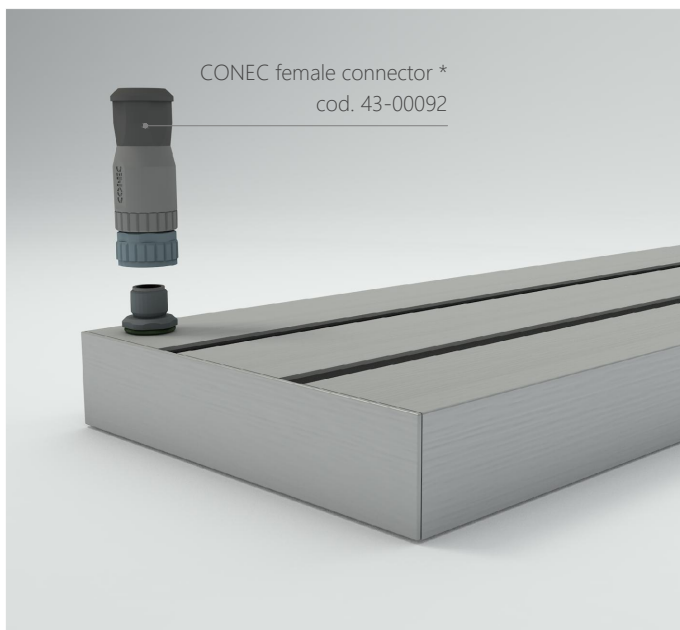


# CONNECTION OPTIONS

## MALE CONNECTOR FROM BACKLIGHT



## FEMALE CONNECTORS OPTIONS

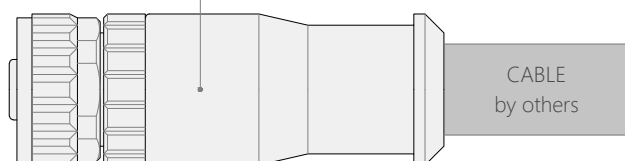


\* female connectors provided on request

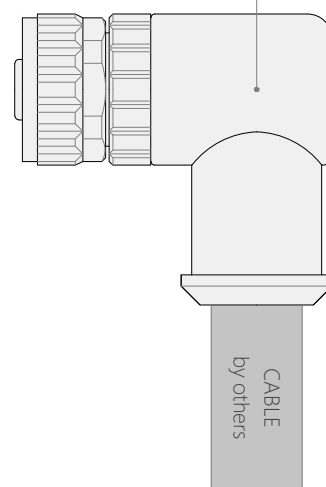


## FEMALE CONNECTORS OPTIONS

CONEC female connector \*  
cod. 43-00092

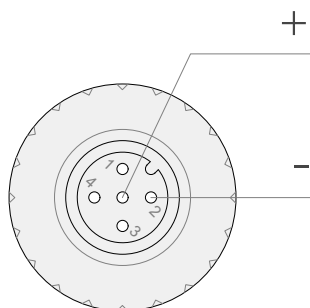


CONEC female connector \*  
cod. 43-00096

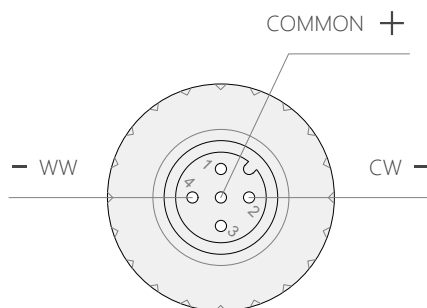


## HOW CONNECT FEMALE CONNECTORS

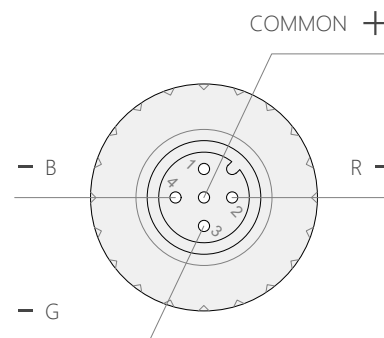
STATIC WHITE



TUNABLE WHITE



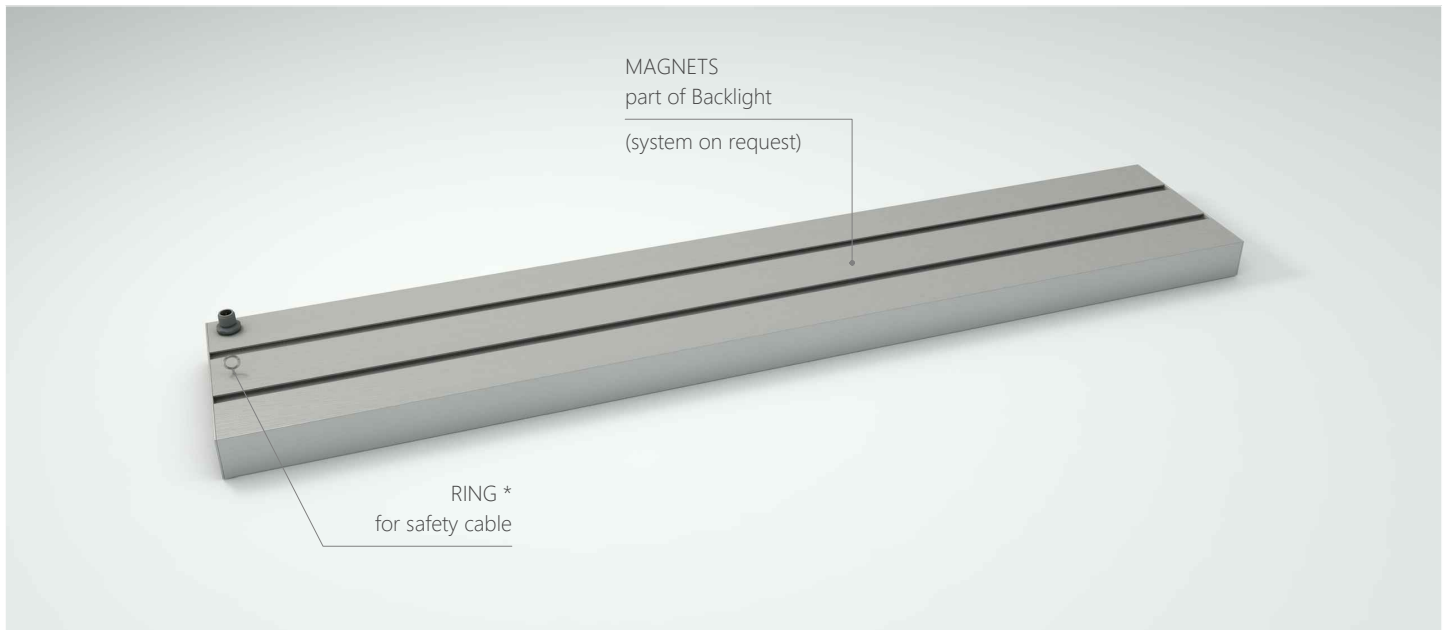
RGB



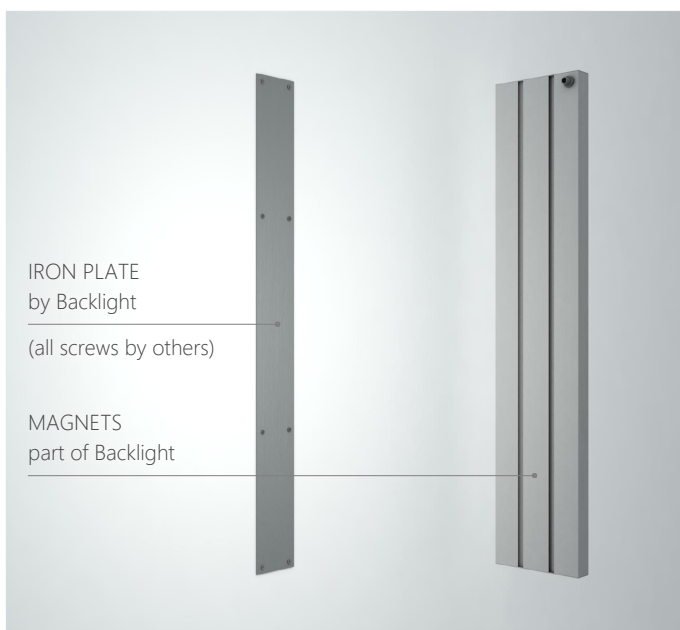
\* female connectors provided on request

# MOUNTING SYSTEMS

## NOFALL MAGNETIC SYSTEM

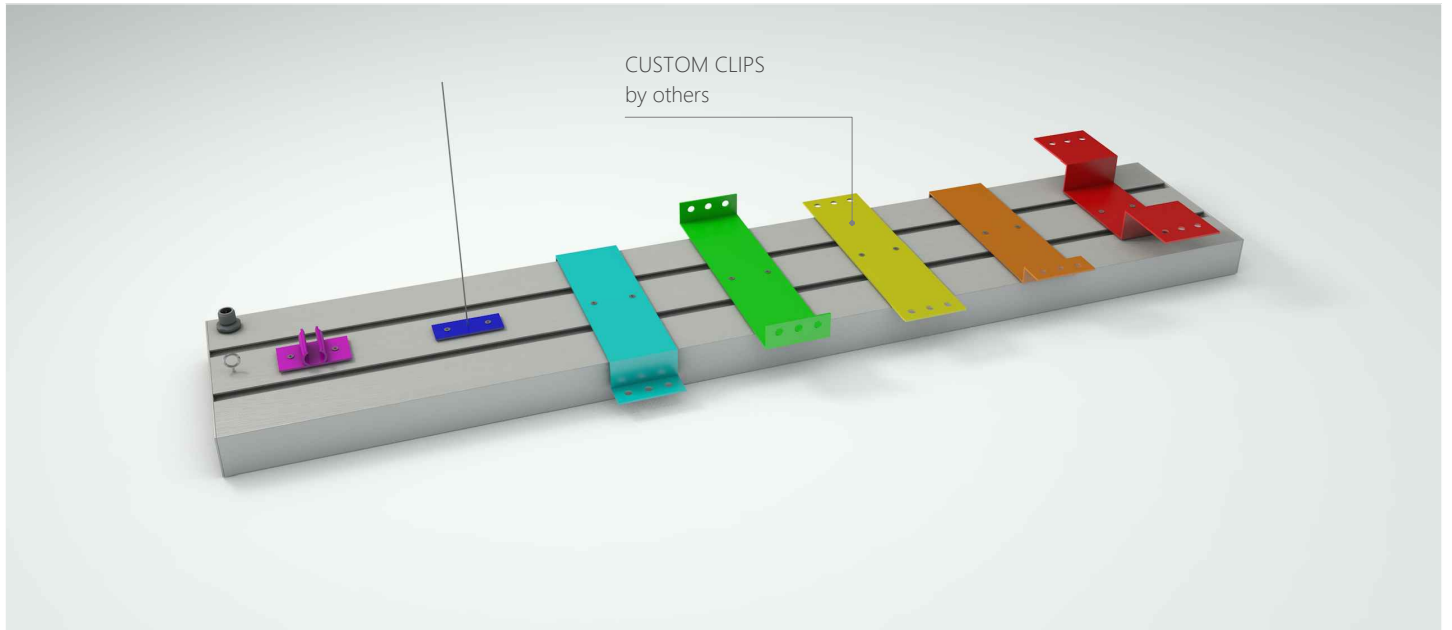


NOFALL magnetic system by Backlight gives the possibility to fix the lamp on all iron surfaces. Magnets are incorporated into the lamp.



\* ring or others security systems on request, safety cable not included

## CUSTOM CLIPS



Wetty by Backlight offers the possibility of joining any fixing clips made especially for your project.

***BACKLIGHT***

Via A. Volta, 5  
20876 Ornago (MB)  
Italy

+39 039 6010396  
[www.backlightsrl.com](http://www.backlightsrl.com)  
[info@backlightsrl.com](mailto:info@backlightsrl.com)