

PILL

BACKLIGHT

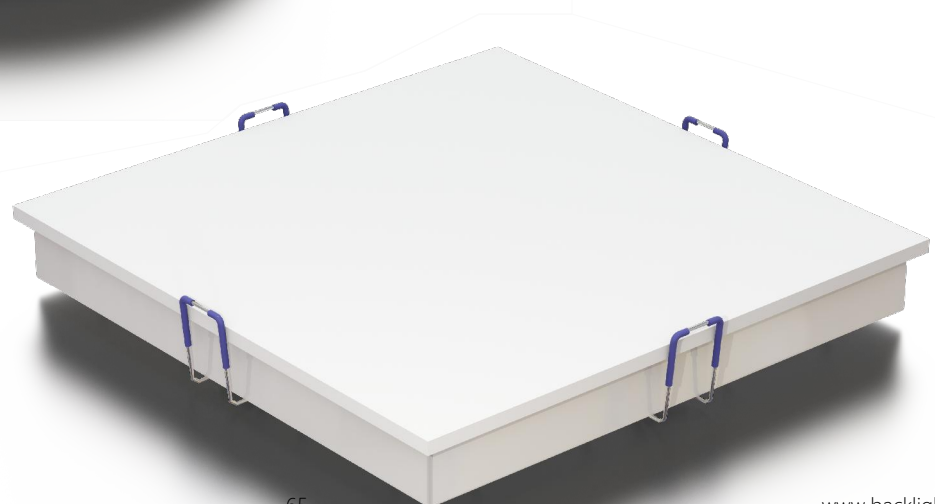


PILL

No glare, only the reason of its existence.
Only light, its essence, the purpose
of its existence. Simplicity and harmony,
discretion, at the service of space.

standard small squares and circles

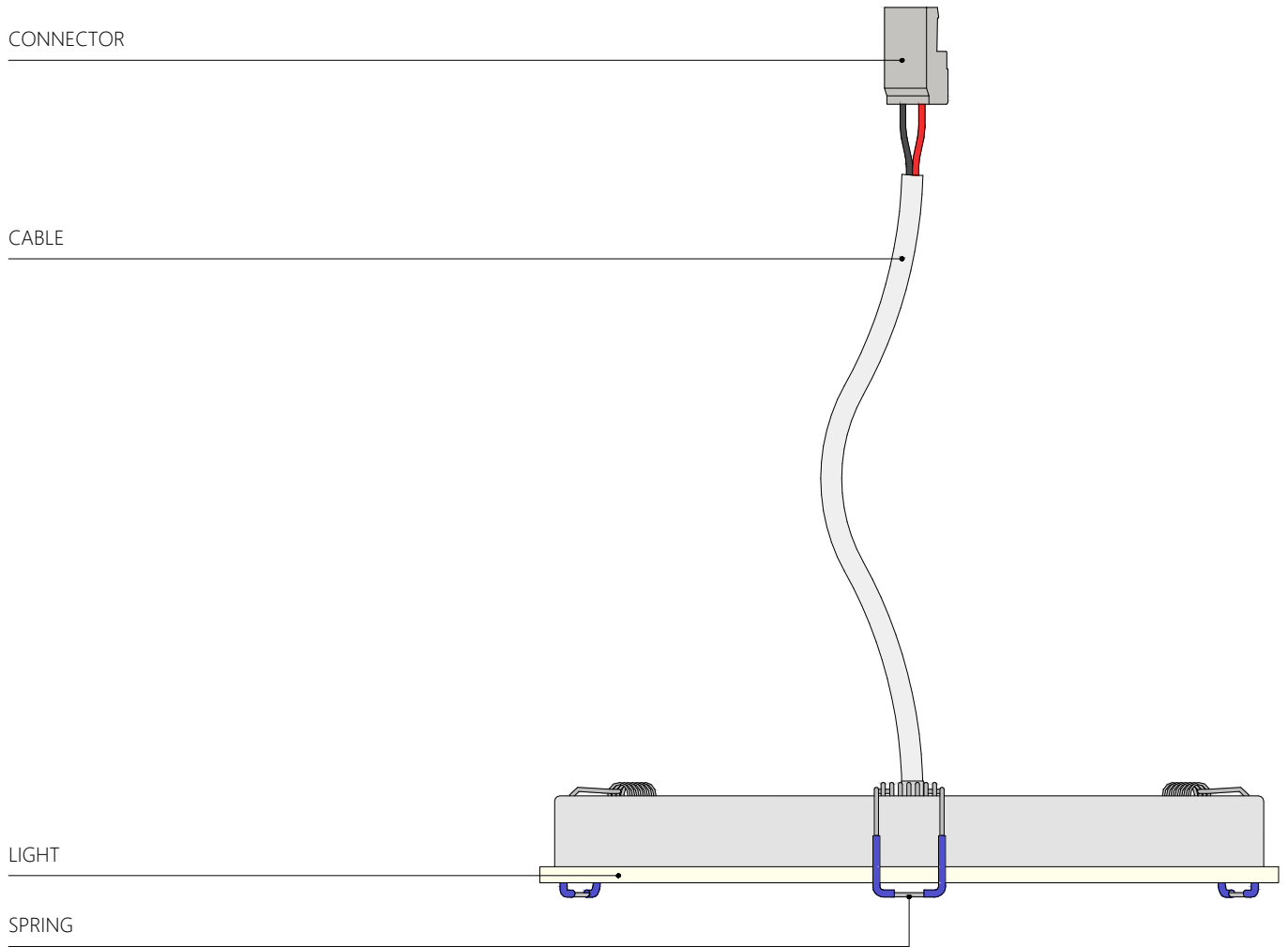
- 66 SECTION
- 67 STANDARD
- 68 TECHNICAL SPECS
- 69 FINISH OPTIONS - STANDARD FIXING



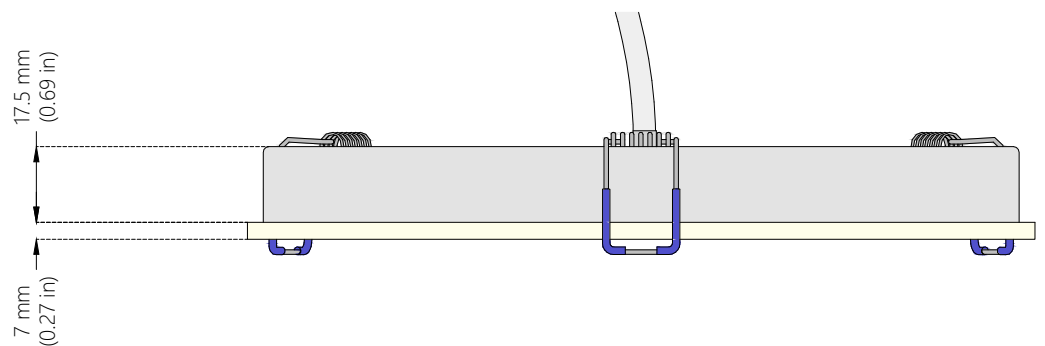
SECTION

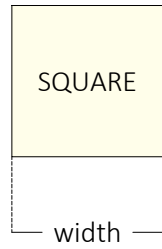
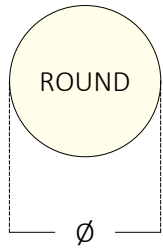
PILL

STANDARD MODELS



SECTION





STANDARD

PILL

Round Pill

name	Ø	thickness	watts	light temps. available	lumen delivered	use	mounting system
ROUNDPIILL-XXS	Ø 76.5 mm Ø 3.0 in	24.5 mm (0.96 in) (see p. 66)	3 W	2700 K	180 lm	CEILING WALL	SPRINGS
ROUNDPIILL-XS	Ø 107 mm Ø 4.2 in		4.5 W	3200 K	270 lm		
ROUNDPIILL-S	Ø 137 mm Ø 5.4 in		5.5 W	3500 K	350 lm		
ROUNDPIILL-M	Ø 176.5 mm Ø 7.0 in		7.5 W	4100 K	470 lm		
ROUNDPIILL-L	Ø 204 mm Ø 8.0 in		9.0 W	5000 K	560 lm		
ROUNDPIILL-XL	Ø 258 mm Ø 10.15 in		11.0 W	Tunable W RGB RGB + W	700 lm		

Square Pill

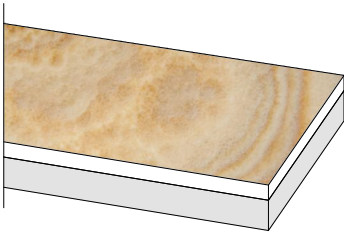
name	width	thickness	watts	light temps. available	lumen delivered	use	mounting system
SQUAREPIILL-S	108 mm 4.25 in	24.5 mm (0.96 in) (see p. 66)	5.6 W	2700 K	350 lm	CEILING WALL	SPRINGS
SQUAREPIILL-M	130 mm 5.12 in		5.6 W	3200 K	350 lm		
SQUAREPIILL-L	200 mm 7.87 in		11.2 W	3500 K	700 lm		
SQUAREPIILL-XL	250 mm 9.84 in		11.2 W	4100 K 5000 K Tunable W RGB RGB + W	700 lm		

FINISH OPTIONS

PRINTING TEXTURES

Standard marble collection or custom file
 Printing on Backlight surface using a new UV technology

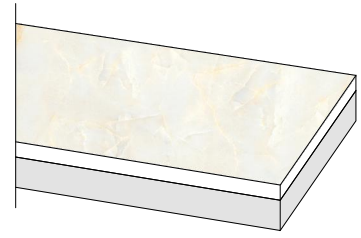
PILL



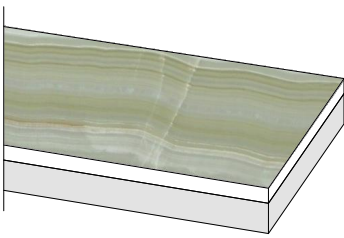
HONEY



WHITE ONYX



WHITE ONYX 2



JADE GREEN



BKL MARBLE



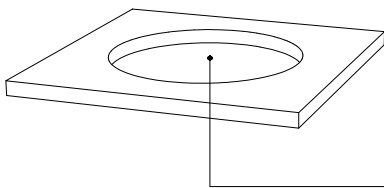
CUSTOM

STANDARD FIXING

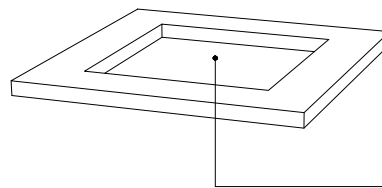
Hole to do on surface

ROUND

SQUARE

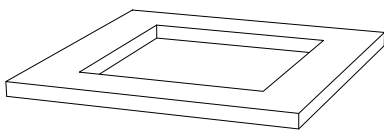


XXS Ø 74 mm - 2.8 in
 XS Ø 104 mm - 4.0 in
 S Ø 135 mm - 5.2 in
 M Ø 174 mm - 6.7 in
 L Ø 202 mm - 7.8 in
 XL Ø 256 mm - 10.0 in

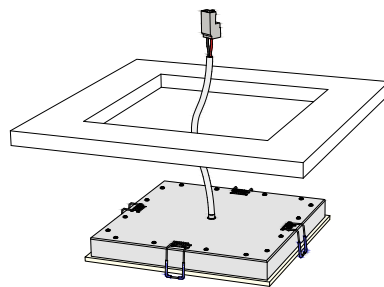


S 106x106 mm - 4.0x4.0 in
 M 128x128 mm - 4.9x4.9 in
 L 198x198 mm - 7.7x7.7 in
 XL 248x248 mm - 9.6x9.6 in

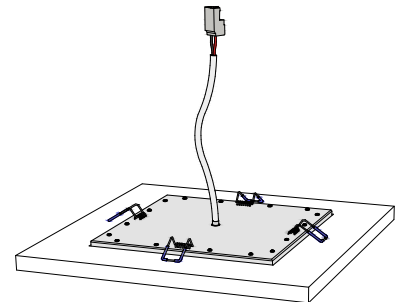
Mounting steps



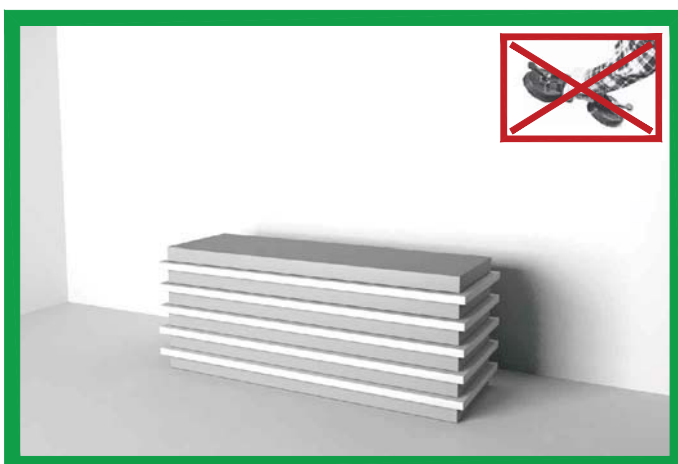
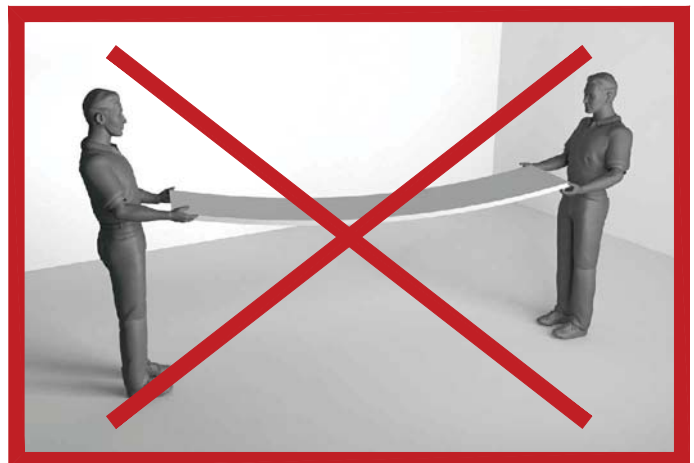
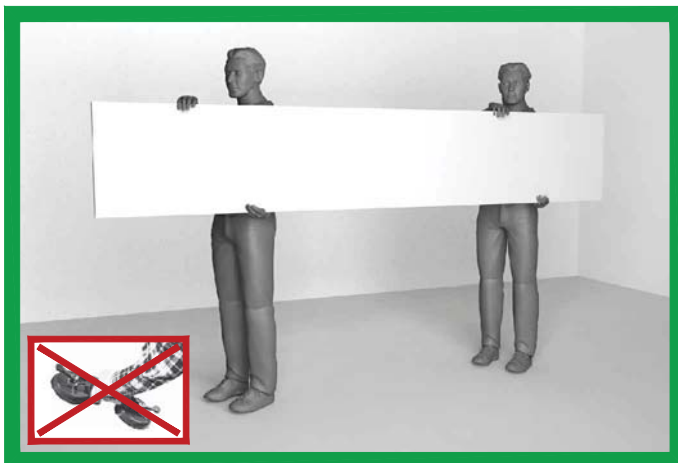
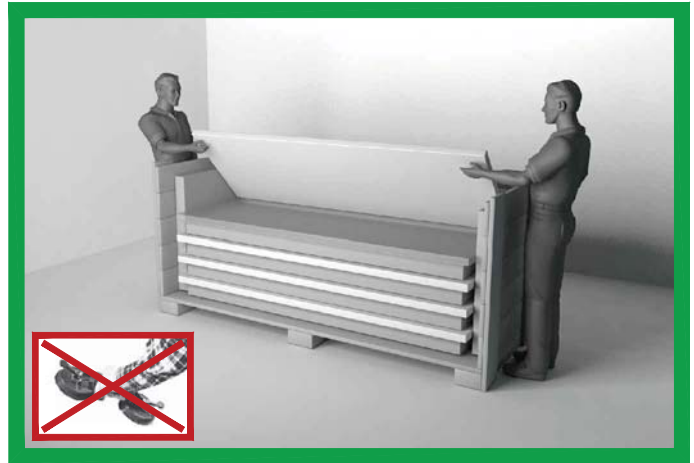
1) Cut the hole on surface



2) Insert the Backlight PILL



3) Fix the Backlight PILL using the springs



WARNINGS



DO NOT WET



DO NOT USE DETERGENTS



DO NOT USE HUMID FABRICS

BACKLIGHT srl

Via A. Volta, 5
20876 Ornago (MB)
Italy

+39 039 6010396
www.backlightsrl.com
info@backlightsrl.com