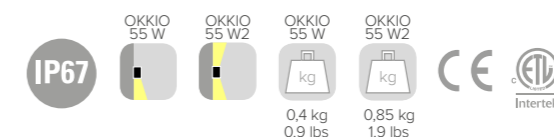
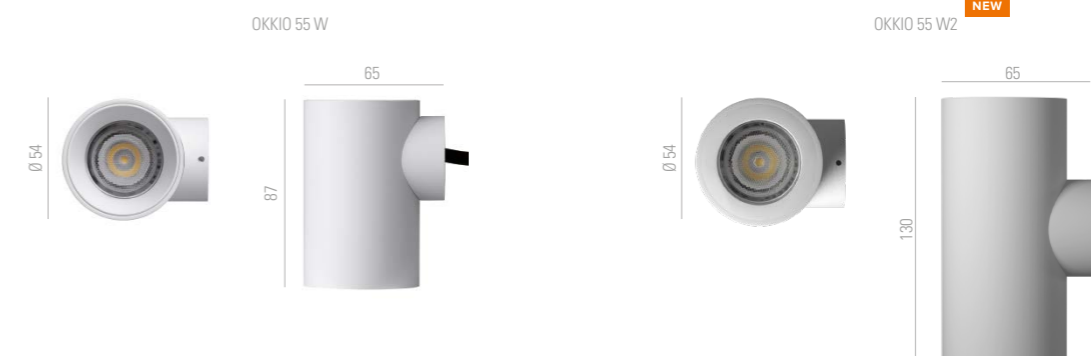


OKKIO 55 W / OKKIO 55 W2 ^{NEW}

SPECIFICATIONS

| | |
|----------------------|--|
| base code | 66406 OKKIO 55 W - 66410 OKKIO 55 W2 |
| typology | Wall mounted cylinder luminaire with light emission on one or two sides (direct light and indirect light) |
| mounting | To wall using mounting plate |
| diameter | 54 mm / 2.13" |
| height | OKKIO 55 W: 87 mm / 3.43" OKKIO 55 W2: 130 mm / 5.11" |
| depth | 65 mm / 2.56" |
| construction | Fixture: turning and milling aluminum. Lens: PMMA. Protective glass or PMMA complete with silicone gasket |
| finishes | Powder coated |
| ingress protection | IP67 |
| lamp quantity | OKKIO 55 W: 1 OKKIO 55 W2: 2 |
| lamp type | Power LED. Remote power supply not included |
| lamp wattage | OKKIO 55 W: 6W at 48V DC and 500 mA. North America 5W at 24V DC and 350 mA OKKIO 55 W2: 9W (4,5W direct light and 4,5W indirect light) at 48V DC and 350 mA |
| special features | 48V DC: unpolarized, hot plug and electronic control of the operating temperature that guarantees that the fixture will last with ambient temperature up to 60° C / 140° F |
| beam angles | 16°, 36°, 45° |
| colour temperatures | 2700K CRI93, 3000K CRI93 and 4000K CRI93 / 2 step MacAdam ellipse |
| lamp lumens | OKKIO 55 W: 630lm (3000K CRI93) OKKIO 55 W2: 840lm (3000K CRI93) |
| delivered lumens | OKKIO 55 W: 395lm (3000K CRI93, 36°) OKKIO 55 W2: 540lm (3000K CRI93, 36°) |
| lumen maintenance | 50.000h L90 |
| dimming options | Push button, potentiometer, 0-10V, DALI, DMX, KNX. Dimming options depend on power supply and additional control units to be separately ordered as accessories |
| standards | CE, UL 2108, CSA C22.2 |
| installation manuals | www.b-light.it |



OKKIO 55 W2

OKKIO 55 W / OKKIO 55 W2

ORDER CODE

| BASE CODE | A . POWER SUPPLY | B . COLOUR TEMPERATURES | C . BEAM ANGLES | D . FINISHES | E . OTHER |
|--|---|-------------------------|-------------------------|---------------------------------|-----------|
| 66406 OKKIO 55 W | 8 48V DC EXCL. power supply | 4 4000K CRI93 | 2 spot 16° | 6 white RAL 9003 | |
| 66410 OKKIO 55 W2 NEW | L 350/500 mA EXCL. power supply | 5 3000K CRI93 | 4 flood 36° | A grey RAL 9006 | |
| | R listed 24V DC EXCL. power supply | 8 2700K CRI93 | 5 wide flood 45° | F golden bronze | |
| | U listed 350 mA EXCL. power supply | | | Q anthracite RAL 7024 | |

Example: BASE CODE **66406** A **8** B **8** C **4** D **6** = **66406 8846**



OKKIO 55 W / OKKIO 55 W2

ACCESSORIES

REQUIRED ACCESSORIES - NOT INCLUDED

| code | output power | input voltage / frequency | IP | dimensions mm |
|-------|---------------------|---------------------------|--------------|---------------|
| 69180 | 30W | 90-264V | 47-63Hz IP20 | L160xW46xH30 |
| 69181 | 40W | 90-305V | 47-63Hz IP67 | L163xW43xH32 |
| 69182 | 60W | 90-305V | 47-63Hz IP67 | L163xW43xH32 |
| 69187 | 100W | 90-305V | 47-63Hz IP67 | L220xW68xH39 |
| 69188 | 150W | 90-305V | 47-63Hz IP67 | L228xW68xH39 |
| 69185 | 40W | 90-305V | 47-63Hz IP67 | L171xW62xH37 |
| 69186 | 60W | 90-305V | 47-63Hz IP67 | L171xW62xH37 |
| 69187 | 100W | 90-305V | 47-63Hz IP67 | L220xW68xH39 |
| 69188 | 150W | 90-305V | 47-63Hz IP67 | L228xW68xH39 |
| 69195 | 75W | 100-305V | 47-63Hz IP67 | L180xW63xH36 |
| 69095 | ON/OFF, 12W / max 1 | 90-264V | 50-60Hz IP20 | L115xW34xH19 |
| 69091 | 1-10V, 20W / max 2 | 99-264V | 50-60Hz IP20 | L120xW52xH22 |
| 69080 | DALI, 20W / max 2 | 220-240V | 50-60Hz IP20 | L120xW52xH22 |
| 69086 | ON/OFF, 15W / max 1 | 90-264V | 50-60Hz IP20 | L115xW34xH19 |
| 69090 | 1-10V, 15W / max 1 | 99-264V | 50-60Hz IP20 | L120xW52xH22 |
| 69079 | DALI, 15W / max 1 | 110-240V | 50-60Hz IP20 | L120xW52xH22 |

Power supply 48V DC* ON/OFF
Power supply 48V DC* ON/OFF for ambient temperature up to 60° C
Power supply 48V DC* DALI[®] for ambient temperature up to 60° C
Power supply 500 mA max No. fixtures OKKIO 55 W only
Power supply 350 mA max No. fixtures OKKIO 55 W2 only
Power supply 24V DC 350 mA listed

Consult the US agent Lites on West
T: 212.775.6363
E: info@litesonwest.com

OPTIONAL ACCESSORIES

| code | page | description | input voltage | IP | dimensions mm |
|-------|------|--|---------------|------|---------------|
| 69102 | 554 | SMART DIMM MASTER 1 Dimmer interface master (four channels max No. 32 SMART DIMM SLAVE 1) or 0-10V interface (one channel max No. 32 SMART DIMM SLAVE 1, active signal is required) | 48V DC | IP20 | W58xD35xH16 |
| 69103 | 554 | SMART DIMM SLAVE 1 DMX interface or dimmer interface slave (four channels max) | 48V DC | IP20 | W58xD35xH16 |

OKKIO 55 W: max 120 luminaires - OKKIO 55 W2: max 60 luminaires

*To choose the power supply, always add a spare 20% as safety margin.
See pag 597 for cable size and max wiring distance from power supply to last connected luminaire