

PENOMBRA

TYPE:

PROJECT NAME:

design Sebastiano Tosi 2014

Collection of suspension, wall and ceiling lamps reflected light, fix or adjustable.

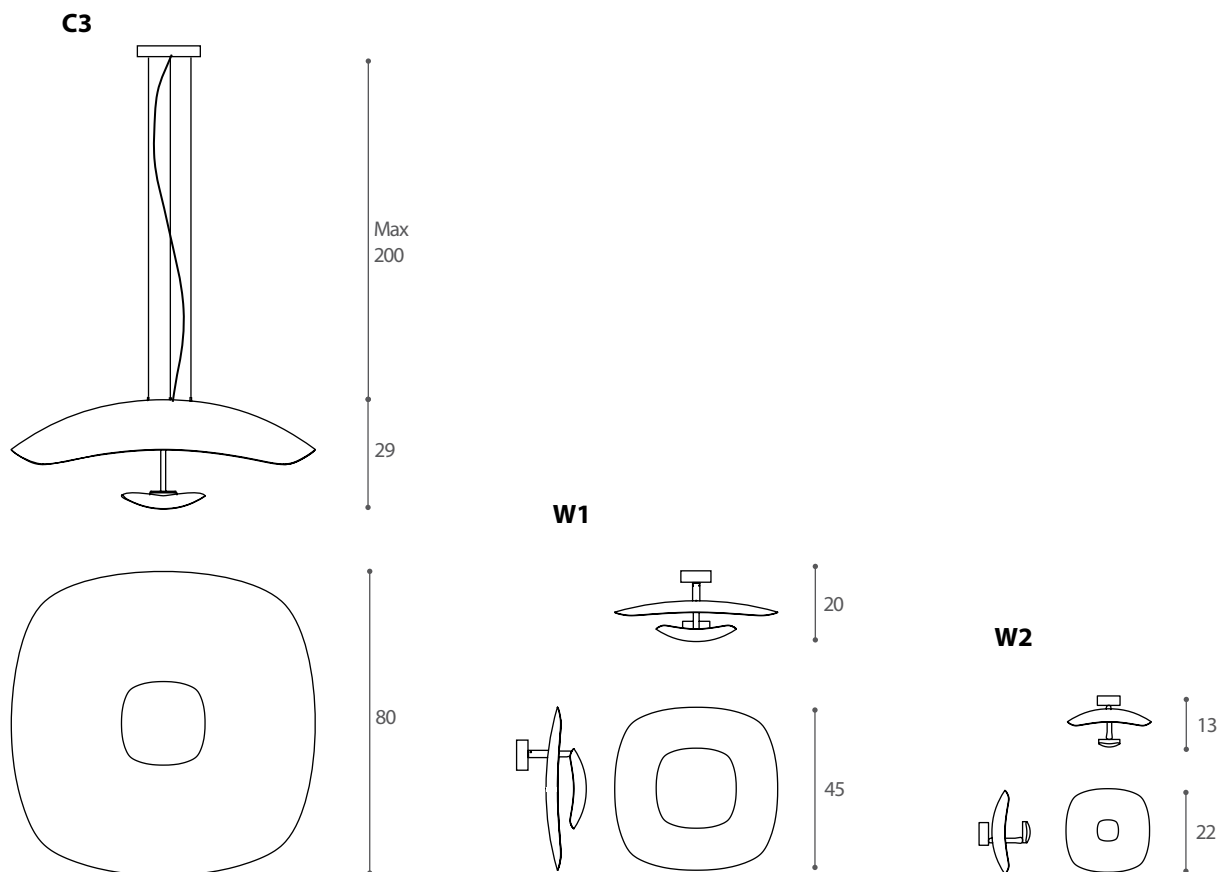
Materials: metal

Finishes: white/white, bronze/copper leaf, white/gold leaf, black/gold leaf

Light: LED 120V 3000°K

Direct light: 17 W 120v 1350lm 3000° K

Indirect light: 4.5W 120v 450lm 3000° K



SPECIFICATION SHEET

C3	indirect: LED 4.5W 110/ 120V 450 Lm 3000°K
W1	LED 17W 110/120V 1350lm 3000°K
W2	LED 17W 110/120V 1350lm 3000°K





SPECIFICATION SHEET

SCANGIFT

WWW.SCANGIFT.COM

