

MIAMI

TYPE:

PROJECT NAME:

EFTJHO (JPSEBOB "SDFTJMBJ

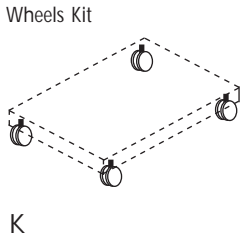
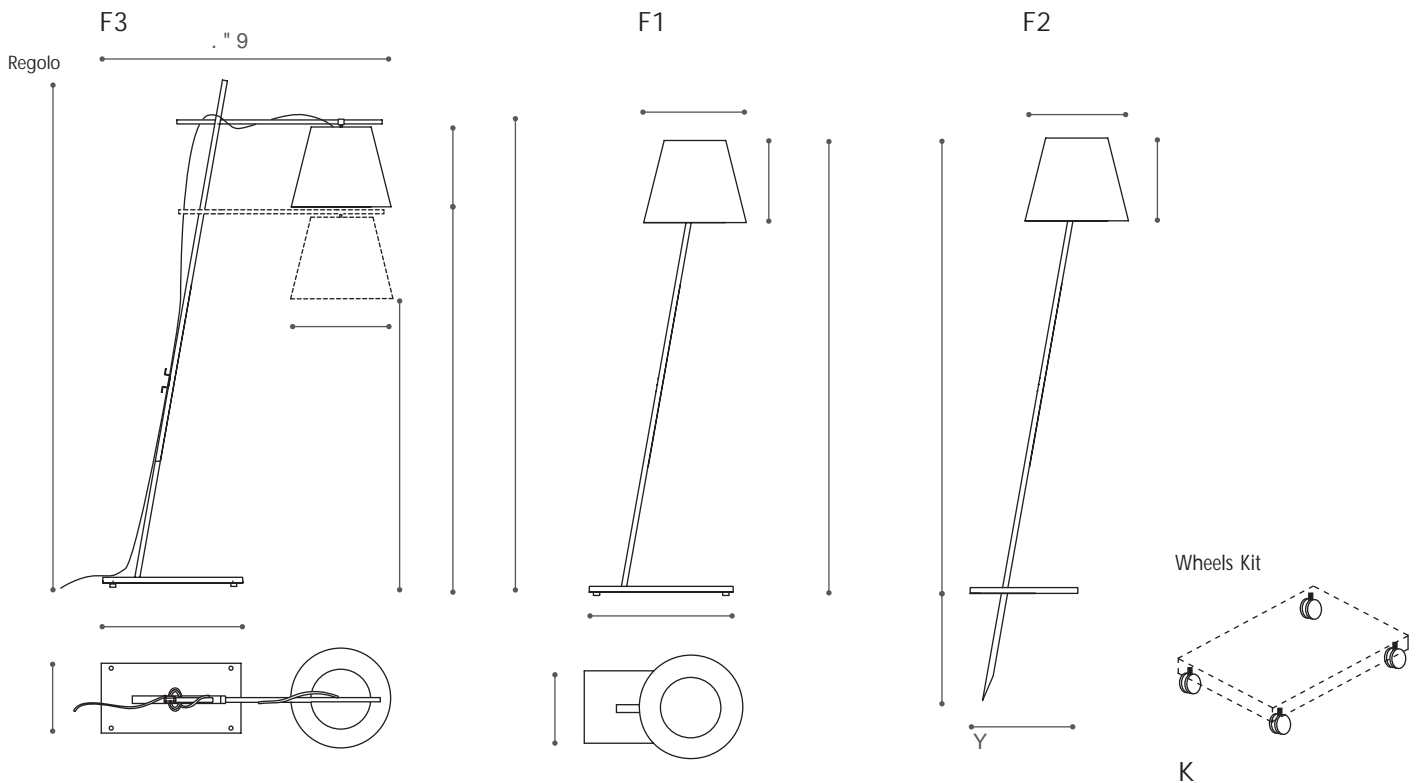
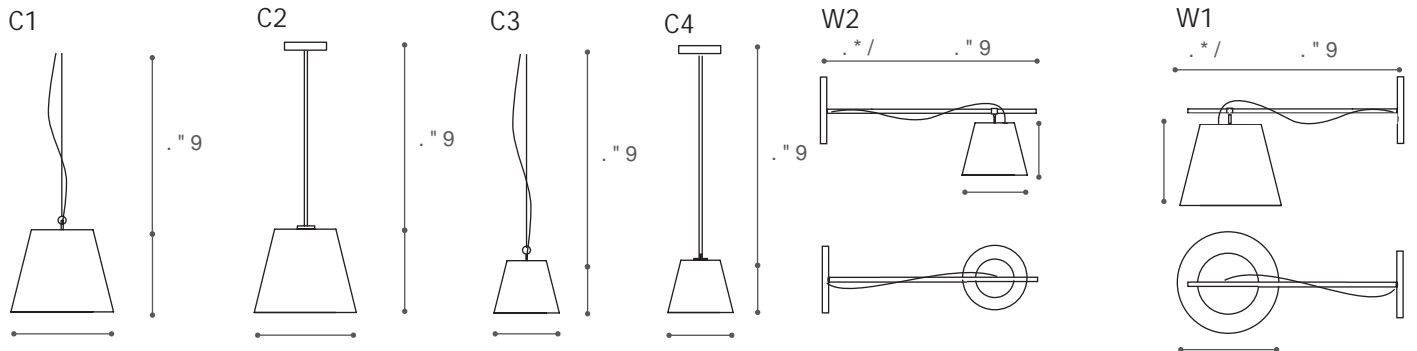
'JCFSHMBTT TIBEF5 MBNQ DPMDFDUJPO XIJDI JT FOSJDIFE XJUI B OFX TVSGBDJBM TUSVDUVSF

'JOMFT CSBTT

#BTFT JO i4FSJ[[Pw TUPOF BOE MBWB 8BSN XIJUF GJCFSHMBTT TIBEF5

.BUFSJCSBTT PS JOPY TUFFM

-JHIU -&% &



Base s materials

Serizzo stone Lava

- & % & 7 A+



SPECIFICATION SHEET

