

# CONTATTO

TYPE:

PROJECT NAME:

design Gianfranco Marabese 2015  
engineering Andrea Zandonà

Spotlight collection with variable light cones through a telescope movement, which is attached to the lamp by magnets to have free movement and adjustment of the light's effects

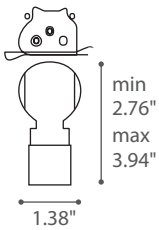
**Materials:** metal and aluminum

**Finishes:** matte white, matte black, brass

Light: LED 6.5W 650lm 3000°K

\* ADD THE SPOTS TO THE MULTIPLE STRUCTURES: C1, C2, F1, C3, C6

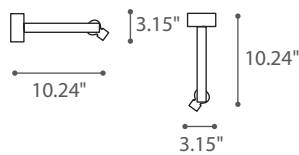
## Spot



## W1



## W2



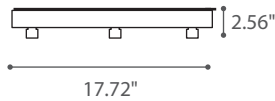
## C4#

Recessed solution

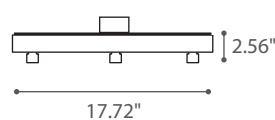


## C3##

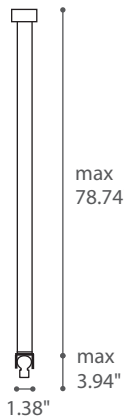
Recessed solution



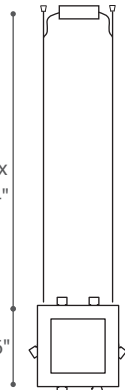
## C6\*



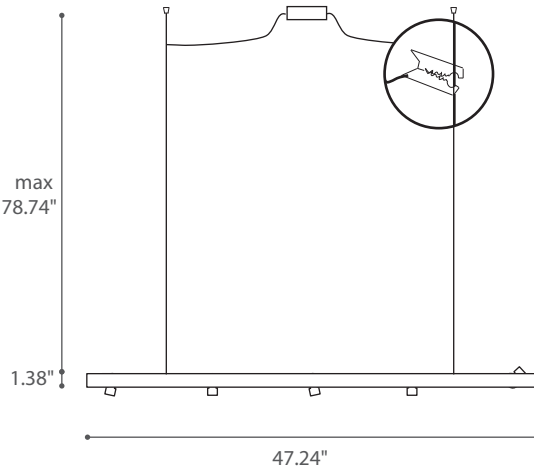
## C5



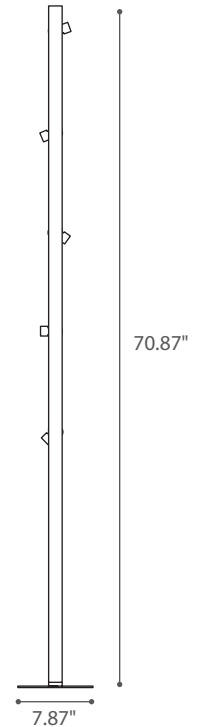
## C1\*



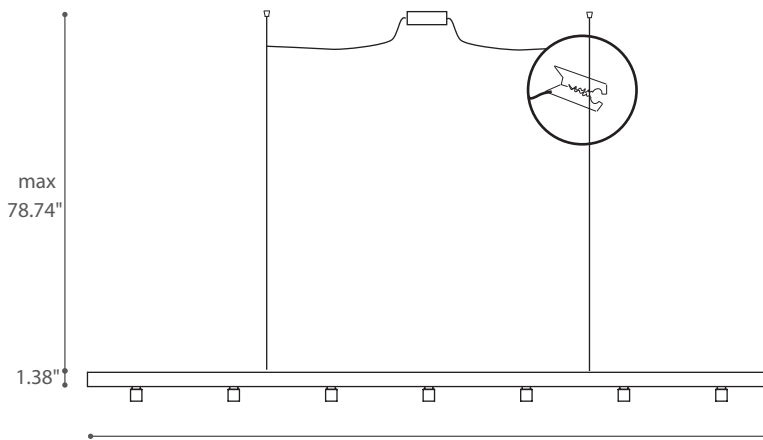
## C2\*



## F1\*

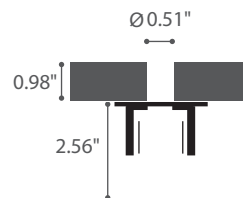


## C7\*



66.14"

## #C3/C4



Recessed solution

## Spot

LED 6.5W 650lm 3000°K min. 20°/ max 40°

## C7

only structure for max 7 spot, driver included

## C1

only structure for max 6 spot, driver included

## C2

only structure for max 5 spot, driver included

## C5

suspended single lamp's spot, driver included

## F1

only structure for max 5 spot, driver included

## C6

only structure for max 3 spot, driver included

## C3

only recessed structure for max 3 spot, driver not included

## W1

short wall lamp, spots and driver included

## W2

long wall lamp, spots and driver included

## C4

single recessed lamp, one spot included, driver not included



