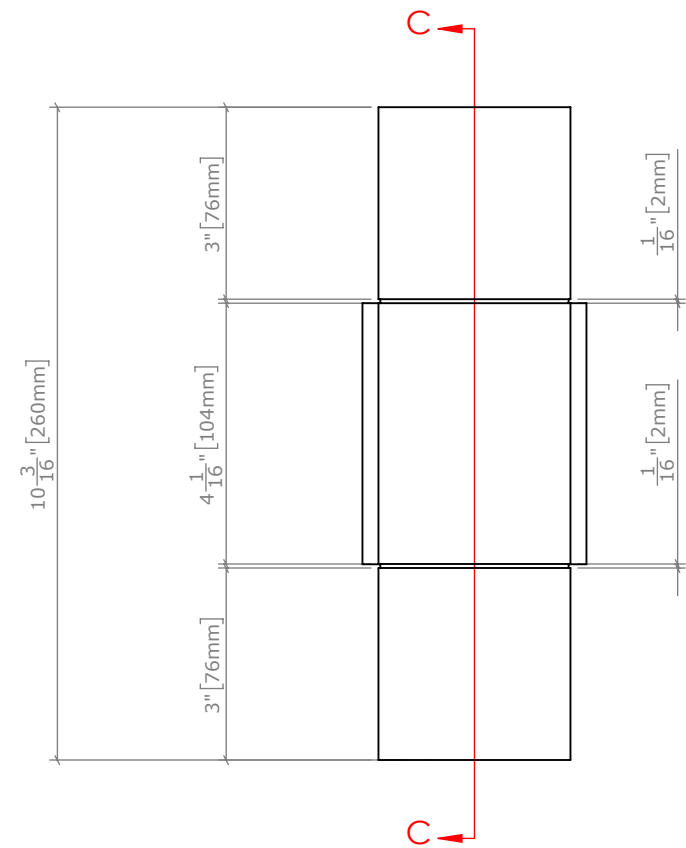
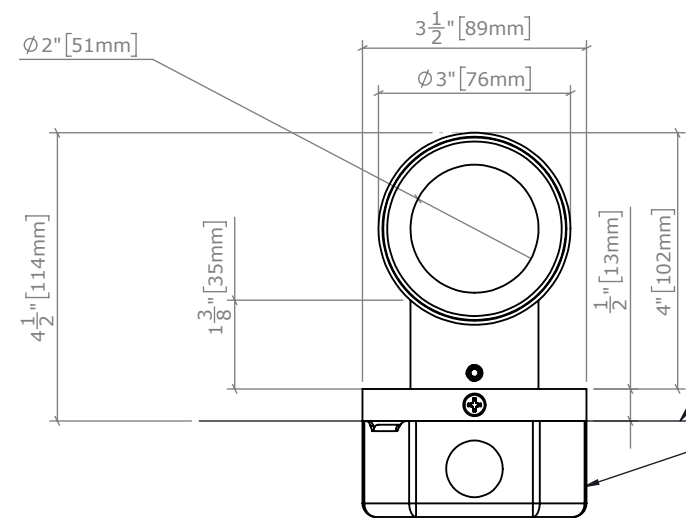
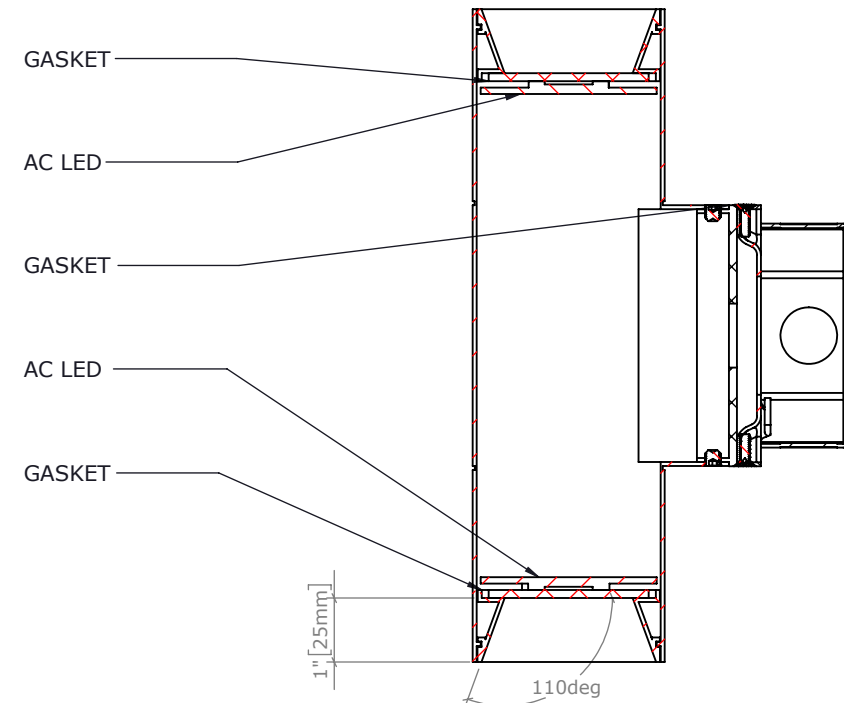


TUBO DIRECT - WALL SCONCE - (UP & DOWN LIGHT)  
LGN-W61-LED-CHR  
QTY:20

| REVISIONS |                     |            |
|-----------|---------------------|------------|
| REV.      | DESCRIPTION         | DATE       |
| 0         | ISSUED FOR APPROVAL | 2021-04-06 |



SECTION C-C  
SCALE 1 : 3



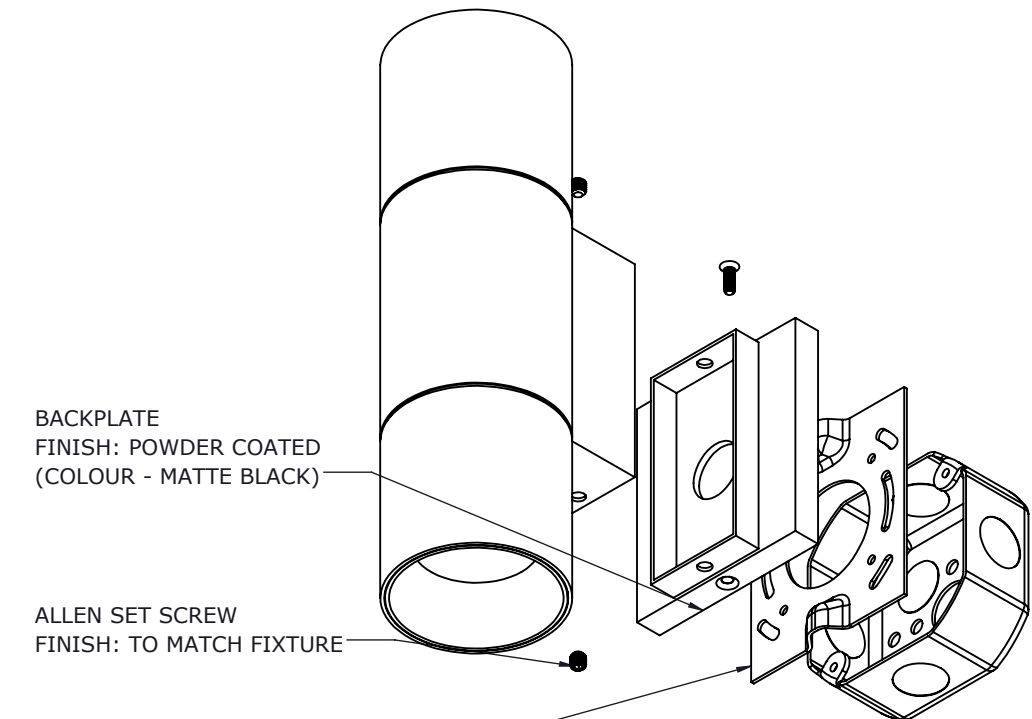
ALUMINUM BODY STRUCTURE  
FINISH: POWDER COATED  
(COLOUR - MATTE BLACK)

GLASS DIFFUSER  
FINISH: CLEAR

DIFFUSER TRIM  
FINISH: POWDER COATED  
(COLOUR - MATTE BLACK)

FINISHED WALL

J BOX  
(BY OTHERS)



MOUNT PLATE

COUNTER SUNK PHILLIPS SCREW  
FINISH: TO MATCH FIXTURE

LAMPING:  
AC LED BOARD 7W, 700LM, 4000K, CRI 90  
TRIAC DIMMING

**NOTES:**  
**TRIAC DIMMING**  
**FINISHES AVAILABLE IN BLACK, WHITE, CHROME**  
**IP65 RATED**

PROJECT: TUBO

LAMP: AC LED 7W, 700LM, 4000K, CRI 90

DWG:OC24238

SALES: FL

CERT.: ETL

BY: AA

MODEL: W61

WEIGHT: ±7LBS

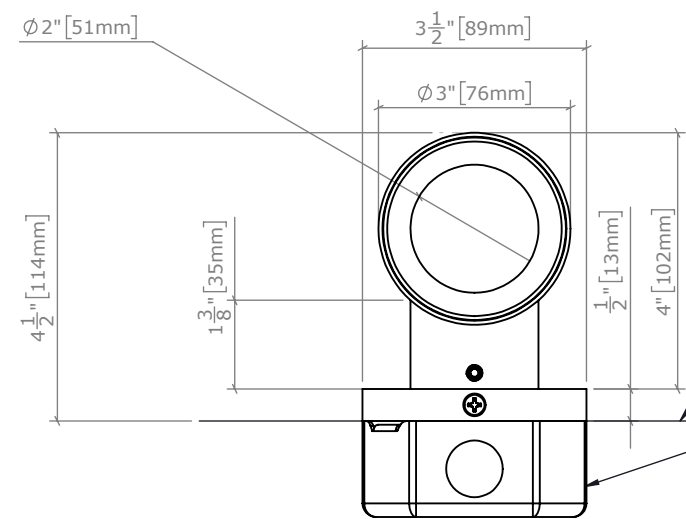
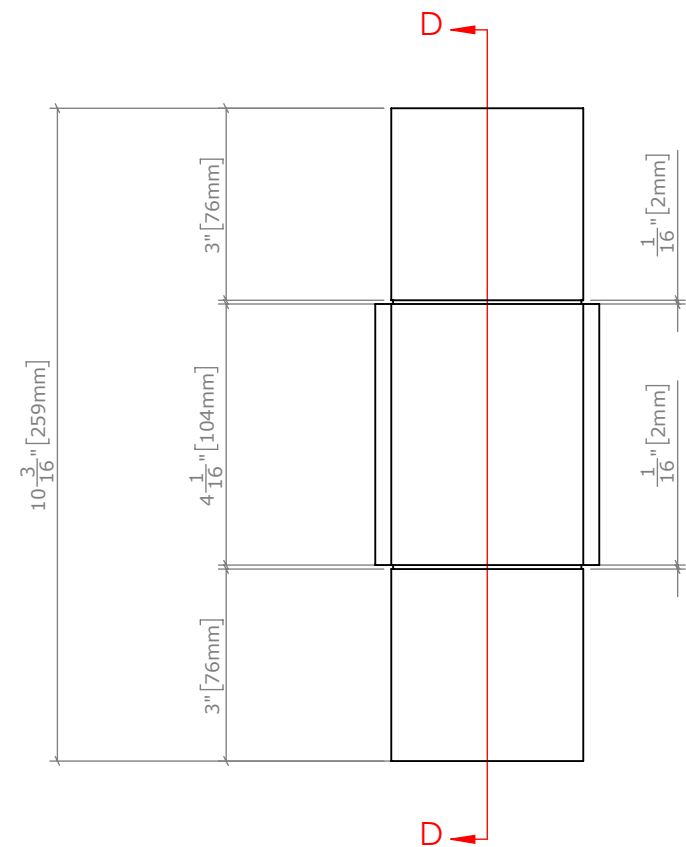
DATE: 2021-04-06

VOLT:120V

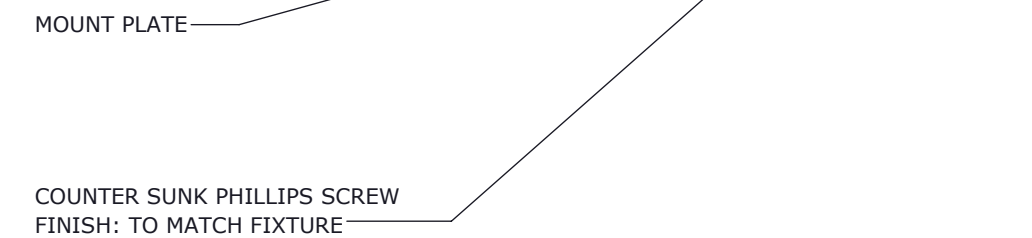
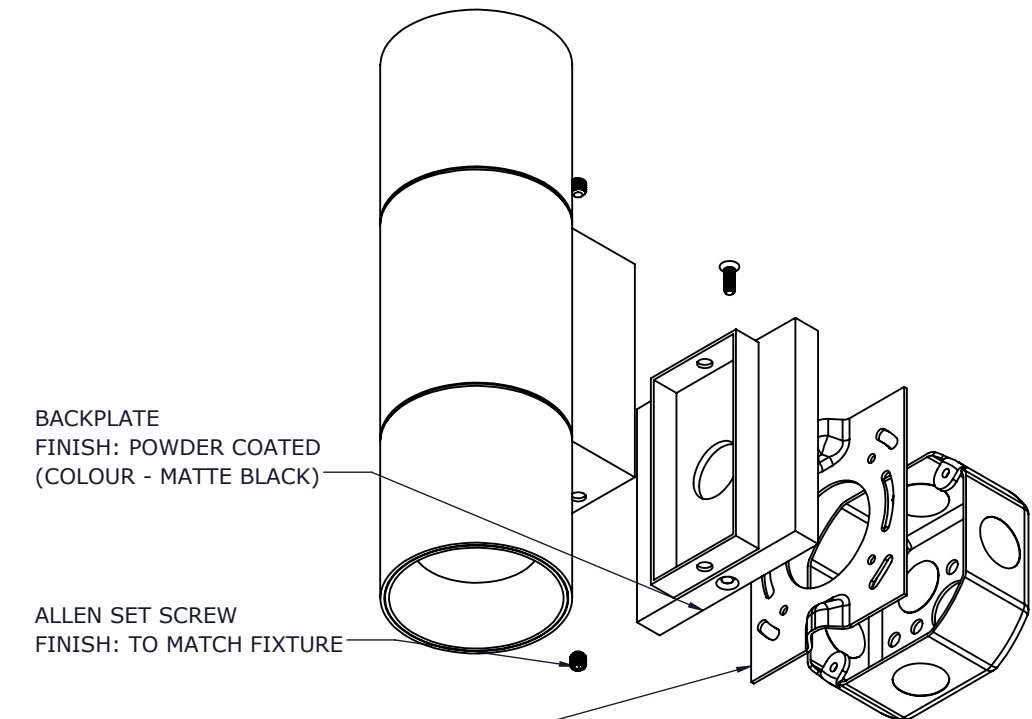
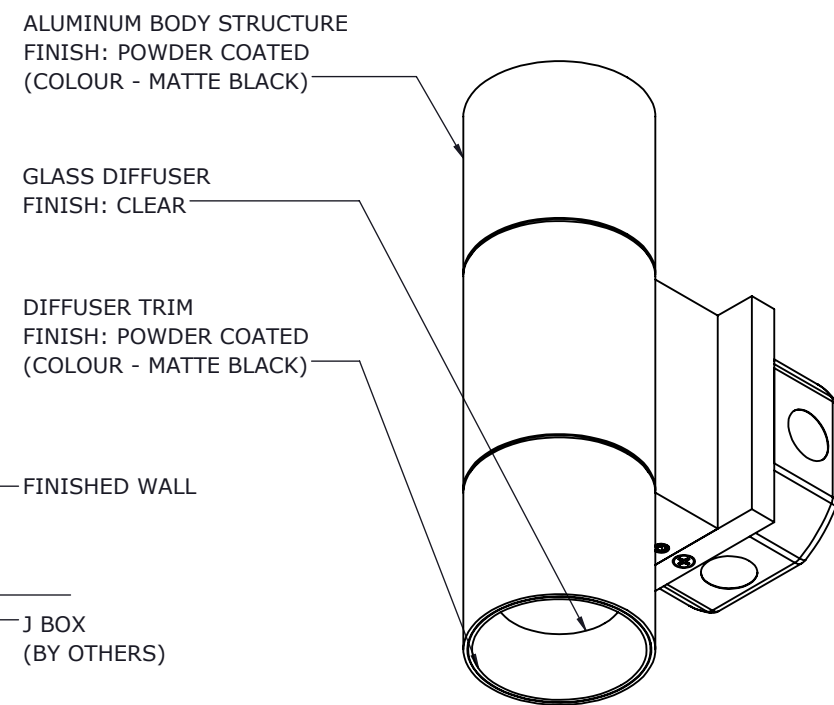
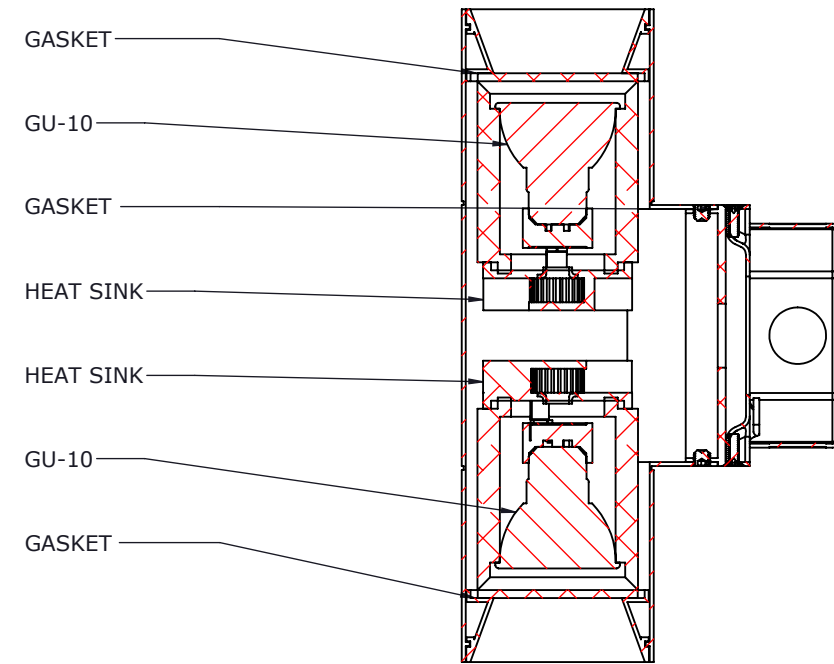
SCALE: 1:3

**TUBO DIRECT - WALL SCONCE - (UP & DOWN LIGHT)**  
**LGN-W61-GU10-CHR**  
**QTY:20**

| REVISIONS |                     |            |
|-----------|---------------------|------------|
| REV.      | DESCRIPTION         | DATE       |
| 0         | ISSUED FOR APPROVAL | 2021-04-06 |



**SECTION D-D**  
**SCALE 1 : 3**



LAMPING: 2 X GU-10 BASE 50W  
 SUGGEST: GU-10 BASE 50W, 500LM, 4000K, CRI90  
 DIMMABLE BULB  
 TRIAC DIMMING

PROJECT: TUBO

LAMP: 2 X GU-10 BASE 50W

DWG:OC24238

SALES: FL

CERT.: ETL

BY: AA

MODEL: W61

WEIGHT: ±7LBS

DATE: 2021-04-06

VOLT:120V

SCALE: 1:3

**NOTES:**  
**TRIAC DIMMING**  
**FINISHES AVAILABLE IN BLACK, WHITE, CHROME**  
**IP65 RATED**