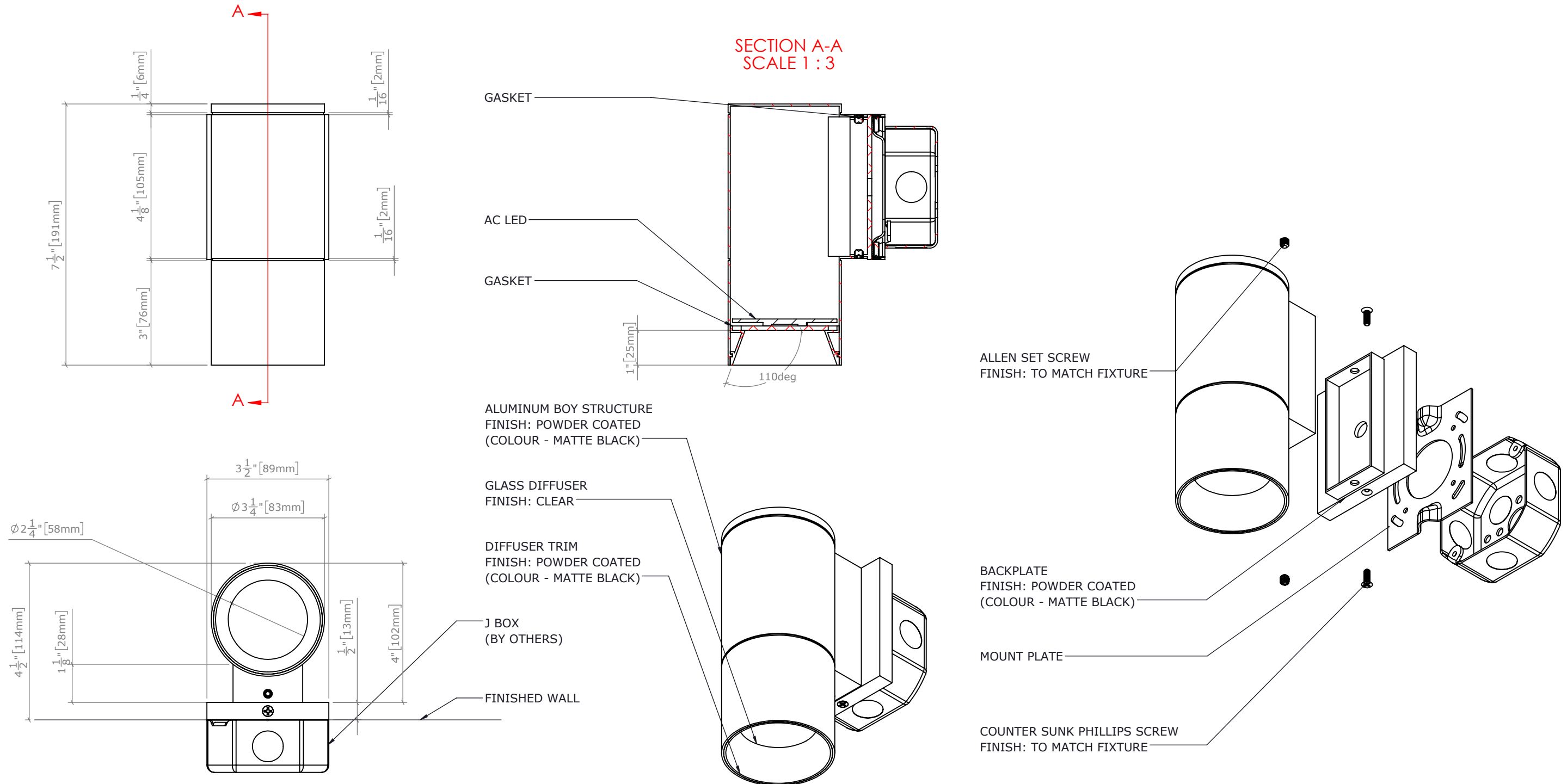


TUBO DIRECT - WALL SCONCE - (DOWN LIGHT)
LGN-W71-LED-CHR
QTY:20

REVISIONS		
REV.	DESCRIPTION	DATE
0	ISSUED FOR APPROVAL	2021-04-06



LAMPING:
AC LED BOARD 7W, 700LM, 4000K, CRI 90
TRIAC DIMMING

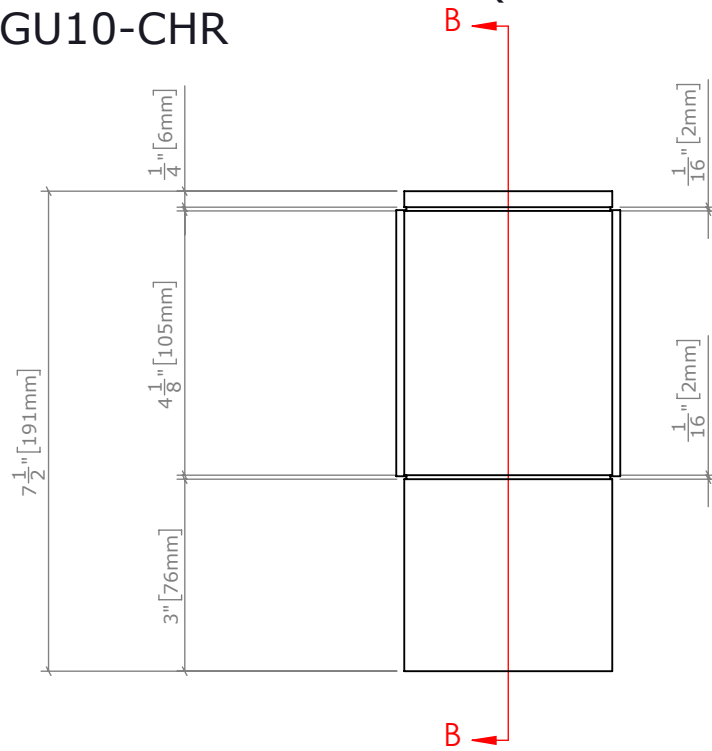
NOTES:
TRIAC DIMMING
FINISHES AVAILABLE IN BLACK, WHITE, CHROME
IP65 RATED

PROJECT: TUBO	SALES: FL	MODEL: W71
LAMP: AC LED 7W, 700LM, 4000K, CRI 90	CERT.: ETL	WEIGHT: ±5LBS VOLT:120V
DWG:OC24238	BY: AA DATE: 2021-04-06	SCALE: 1:3

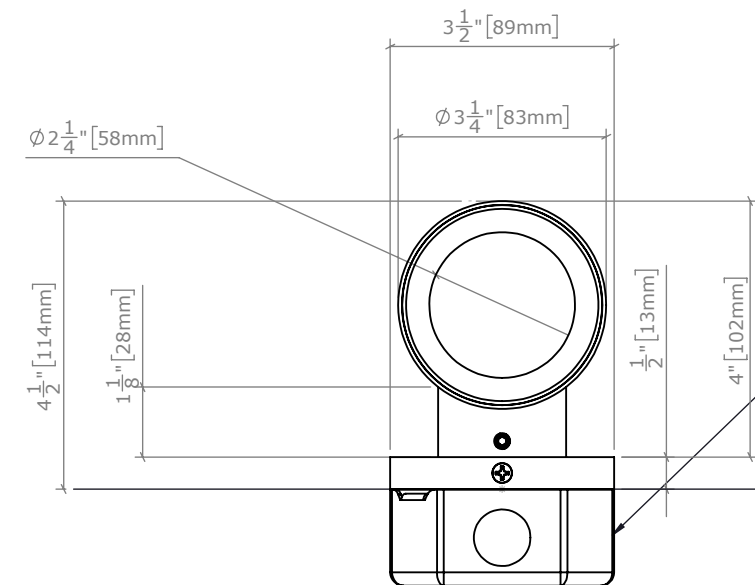
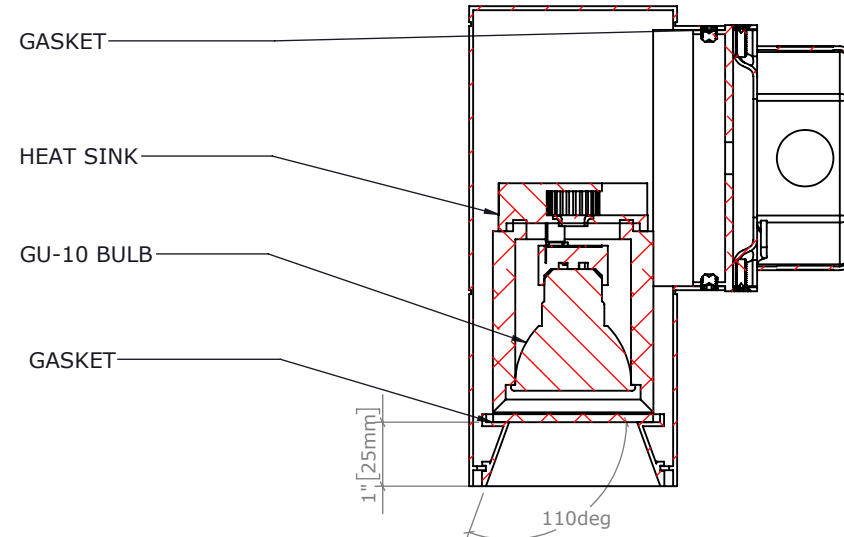
Presented drawings represent ideas and concepts, and may change in manufacturer and installation.
 All preparation for installation of fixture is to be provided by the end user.
 The description and measurements on this drawing are for information purposes only.

TUBO DIRECT - WALL SCONCE - (DOWN LIGHT)
LGN-W71-GU10-CHR
QTY:20

REVISIONS		
REV.	DESCRIPTION	DATE
0	ISSUED FOR APPROVAL	2021-04-06



SECTION B-B
SCALE 1 : 3



ALUMINUM BOY STRUCTURE
 FINISH: POWDER COATED
 (COLOUR - MATTE BLACK)

GLASS DIFFUSER
 FINISH: CLEAR

DIFFUSER TRIM
 FINISH: POWDER COATED
 (COLOUR - MATTE BLACK)

J BOX
 (BY OTHERS)

FINISHED WALL

ALLEN SET SCREW
 FINISH: TO MATCH FIXTURE

BACKPLATE
 FINISH: POWDER COATED
 (COLOUR - MATTE BLACK)

MOUNT PLATE

COUNTER SUNK PHILLIPS SCREW
 FINISH: TO MATCH FIXTURE

LAMPING: GU-10 BASE 50W
 SUGGEST: GU-10 BASE 50W, 500LM, 4000K, CRI90
 DIMMABLE BULB
 TRIAC DIMMING

PROJECT: TUBO

LAMP: 2 X GU-10 BASE 50W

DWG:OC24238

SALES: FL

CERT.: ETL

BY: AA

MODEL: W71

WEIGHT: ±5LBS

DATE: 2021-04-06

VOLT:120V

SCALE: 1:3

NOTES:
TRIAC DIMMING
FINISHES AVAILABLE IN BLACK, WHITE, CHROME
IP65 RATED