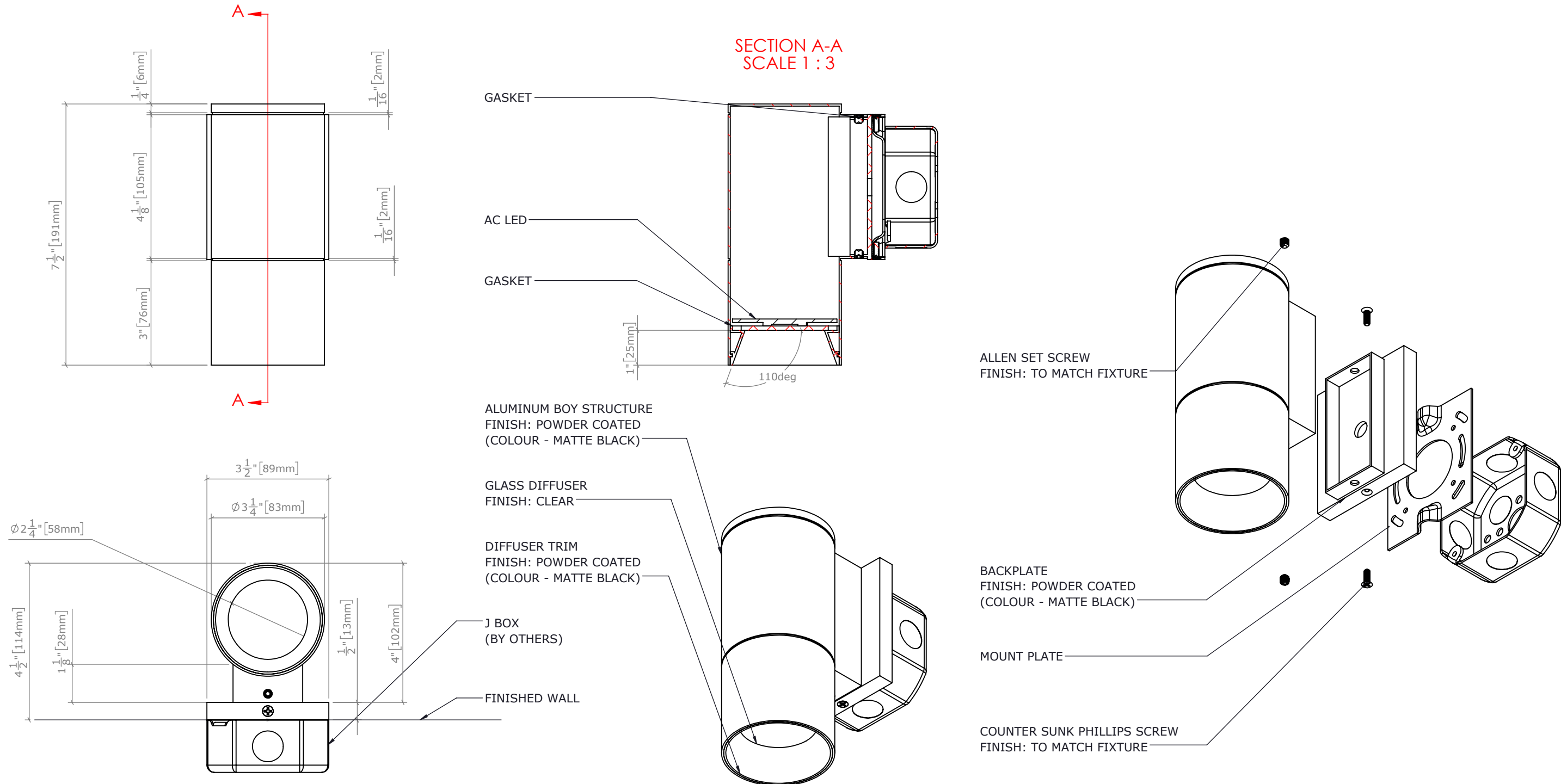


TUBO DIRECT - WALL SCONCE - (DOWN LIGHT)  
LGN-W71-LED-CHR  
QTY:20

REVISIONS		
REV.	DESCRIPTION	DATE
0	ISSUED FOR APPROVAL	2021-04-06



LAMPING:  
AC LED BOARD 7W, 700LM, 4000K, CRI 90  
TRIAC DIMMING

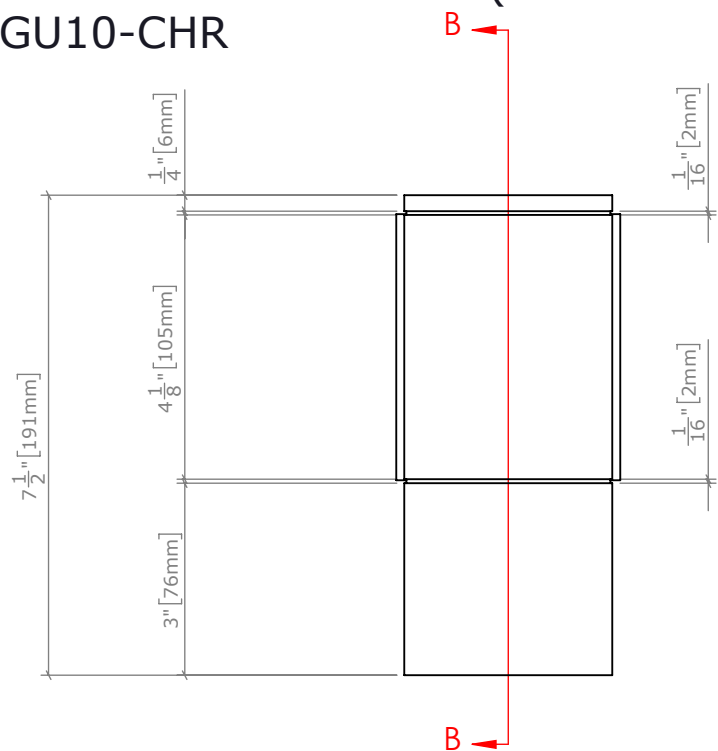
**NOTES:**  
**TRIAC DIMMING**  
**FINISHES AVAILABLE IN BLACK, WHITE, CHROME**  
**IP65 RATED**

PROJECT: TUBO	SALES: FL	MODEL: W71
LAMP: AC LED 7W, 700LM, 4000K, CRI 90	CERT.: ETL	WEIGHT: ±5LBS   VOLT:120V
DWG:OC24238	BY: AA   DATE: 2021-04-06	SCALE: 1:3

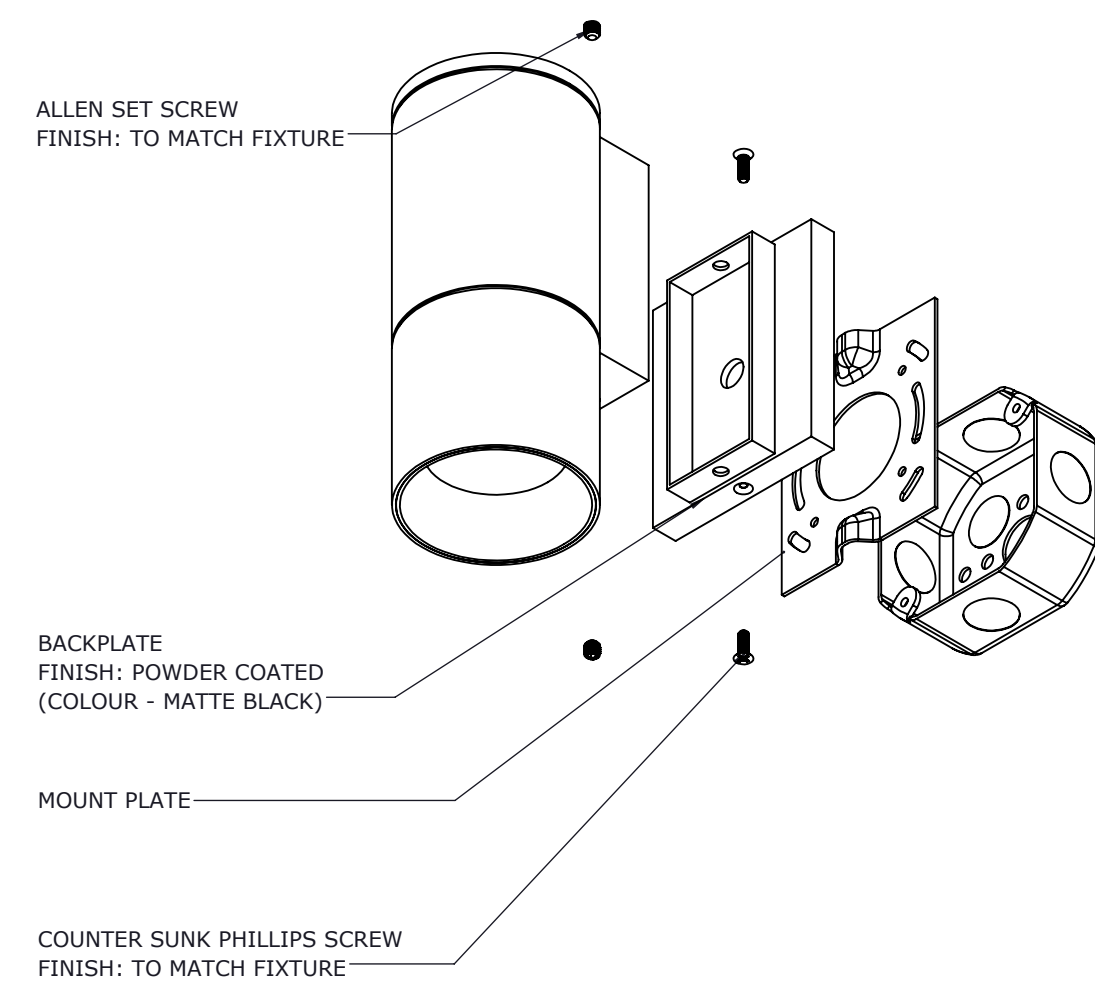
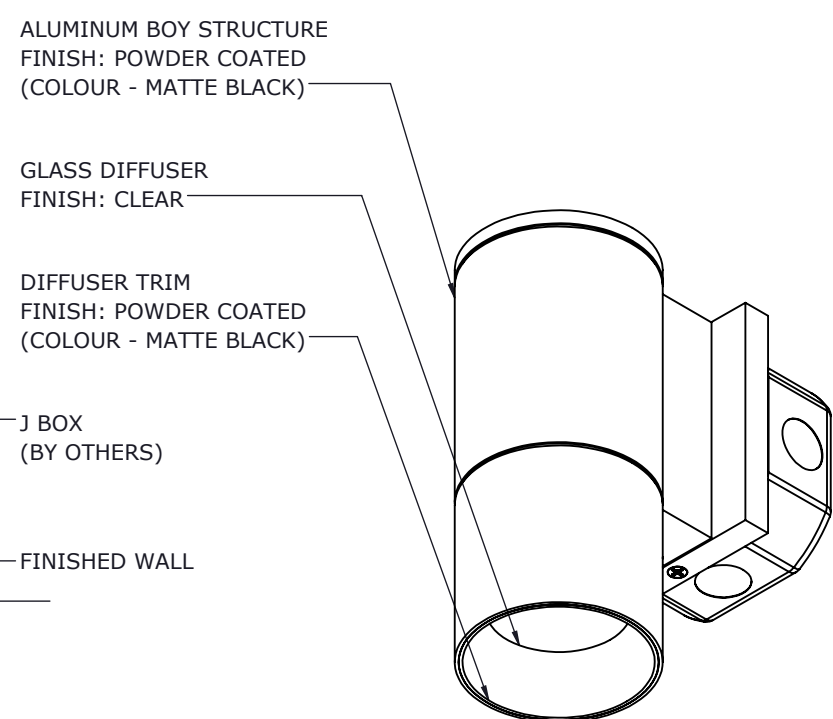
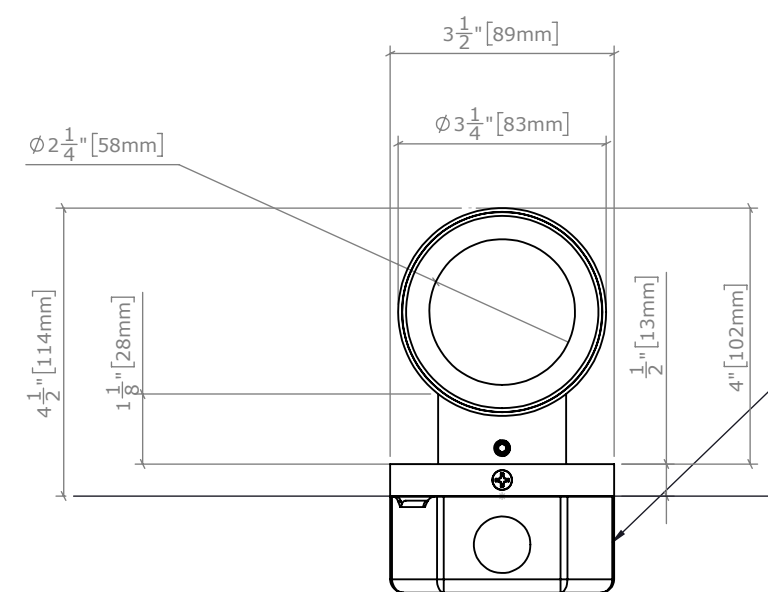
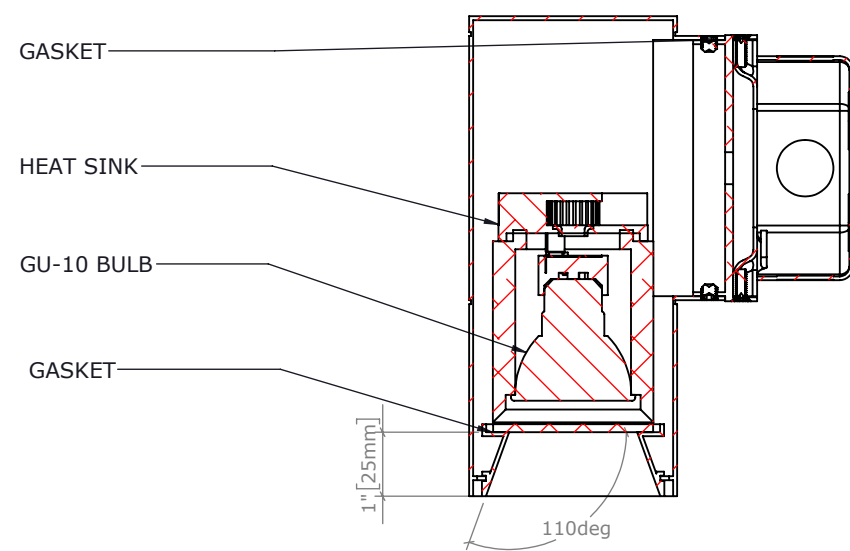
Presented drawings represent ideas and concepts, and may change in manufacturer and installation.  
 All preparation for installation of fixture is to be provided by the end user.  
 The description and measurements on this drawing are for information purposes only.

**TUBO DIRECT - WALL SCONCE - (DOWN LIGHT)**  
**LGN-W71-GU10-CHR**  
**QTY:20**

REVISIONS		
REV.	DESCRIPTION	DATE
0	ISSUED FOR APPROVAL	2021-04-06



**SECTION B-B**  
**SCALE 1 : 3**

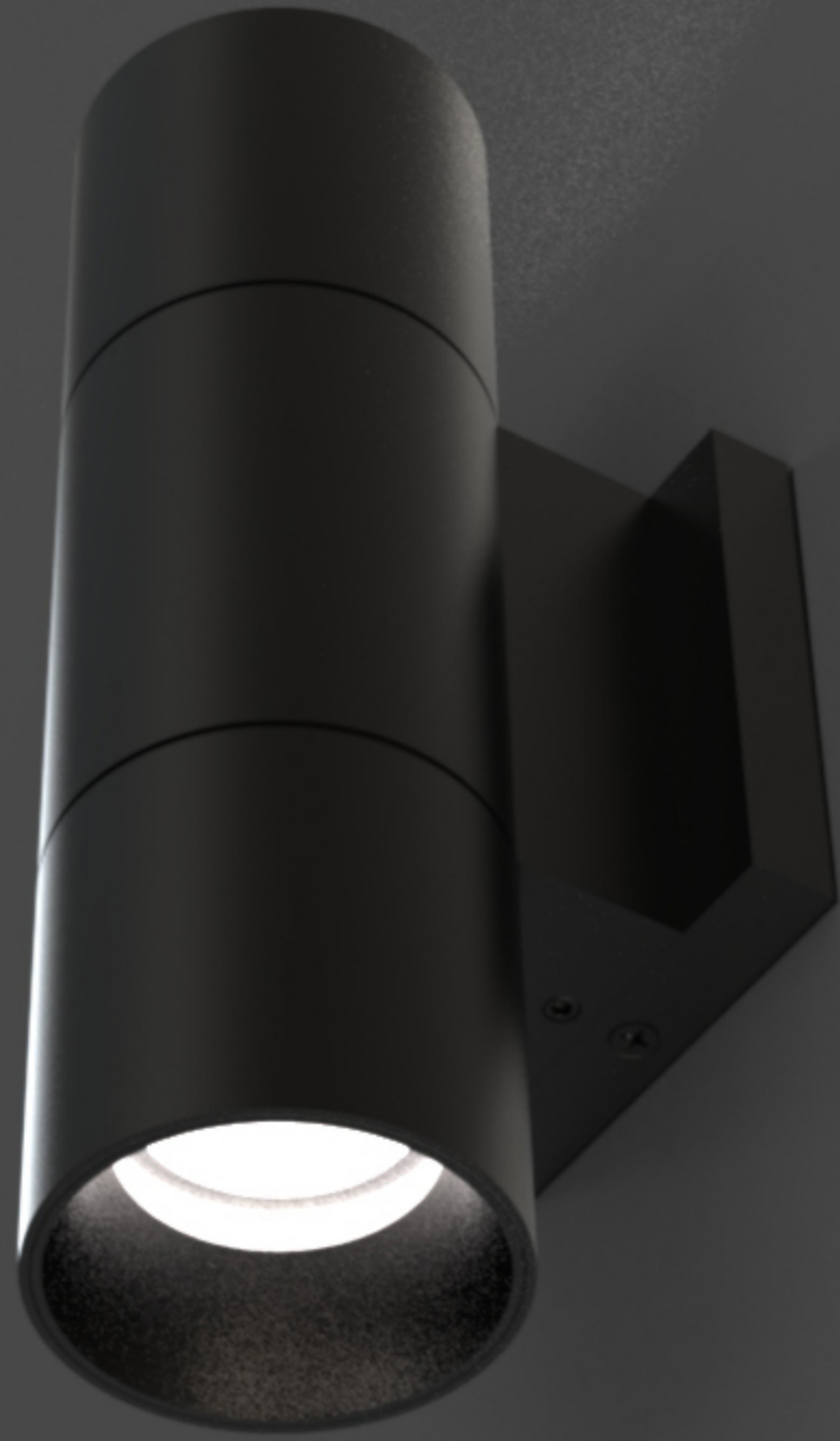


LAMPING: GU-10 BASE 50W  
 SUGGEST: GU-10 BASE 50W, 500LM, 4000K, CRI90  
 DIMMABLE BULB  
 TRIAC DIMMING

PROJECT: TUBO	SALES: FL	MODEL: W71
LAMP: 2 X GU-10 BASE 50W	CERT.: ETL	WEIGHT: ±5LBS   VOLT:120V
DWG:OC24238	BY: AA DATE: 2021-04-06	SCALE: 1:3

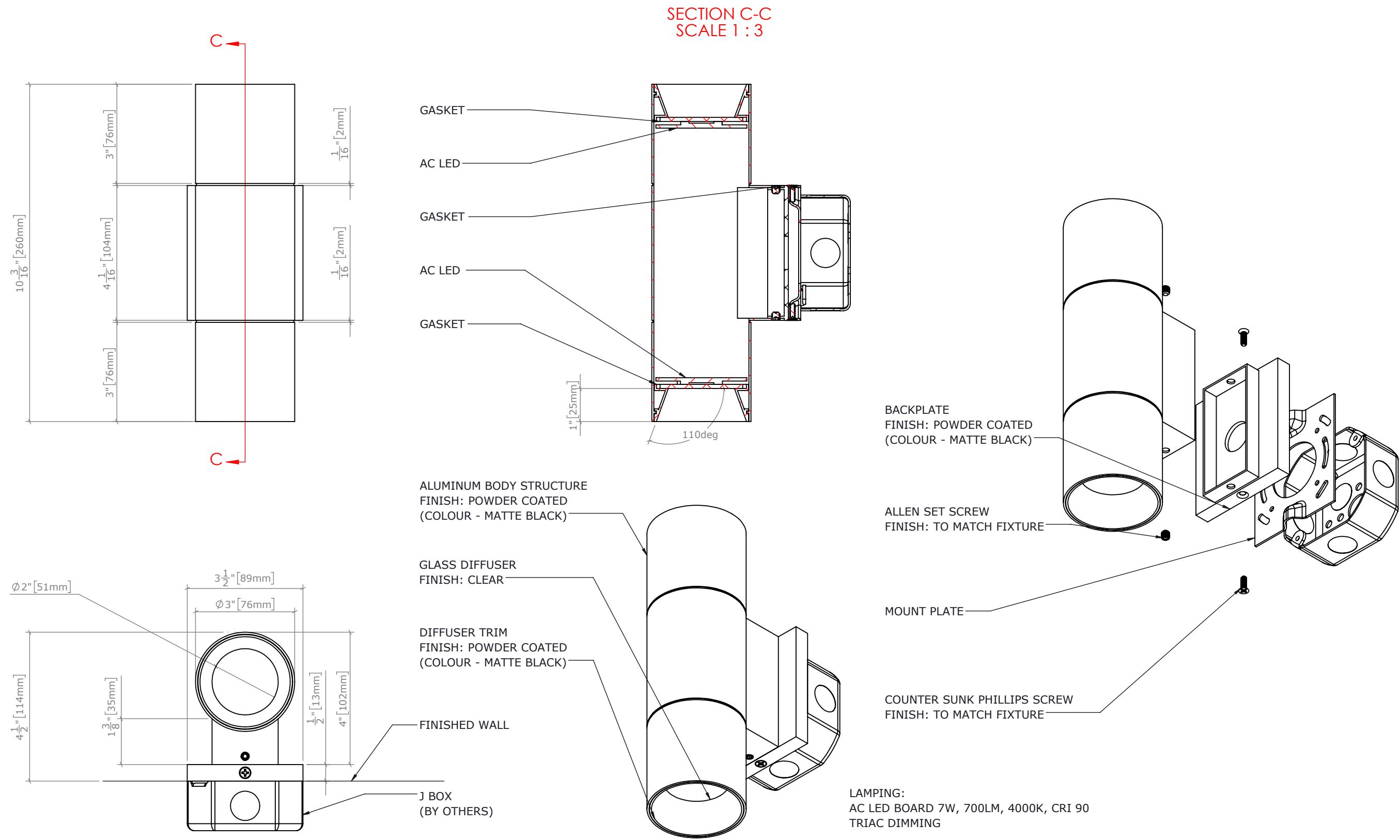
**NOTES:**  
**TRIAC DIMMING**  
**FINISHES AVAILABLE IN BLACK, WHITE, CHROME**  
**IP65 RATED**

Presented drawings represent ideas and concepts, and may change in manufacturer and installation.  
 All preparation for installation of fixture is to be provided by the end user.  
 The description and measurements on this drawing are for information purposes only.



TUBO DIRECT - WALL SCONCE - (UP & DOWN LIGHT)  
LGN-W61-LED-CHR  
QTY:20

REVISIONS		
REV.	DESCRIPTION	DATE
0	ISSUED FOR APPROVAL	2021-04-06



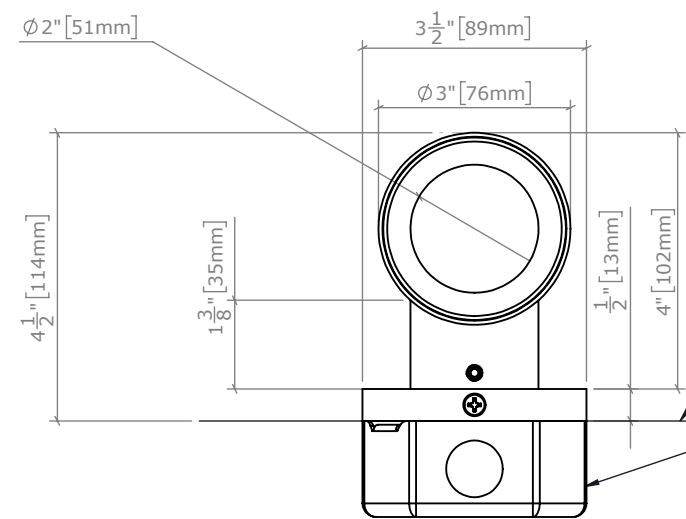
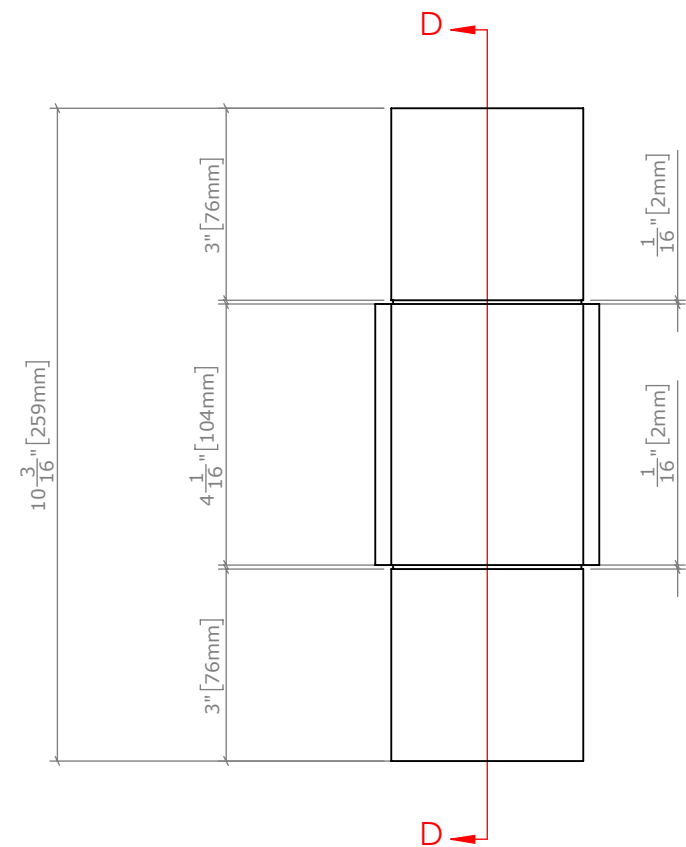
**NOTES:**  
**TRIAC DIMMING**  
**FINISHES AVAILABLE IN BLACK, WHITE, CHROME**  
**IP65 RATED**

PROJECT: TUBO	SALES: FL	MODEL: W61
LAMP: AC LED 7W, 700LM, 4000K, CRI 90	CERT.: ETL	WEIGHT: ±7LBS   VOLT:120V
DWG:OC24238	BY: AA   DATE: 2021-04-06	SCALE: 1:3

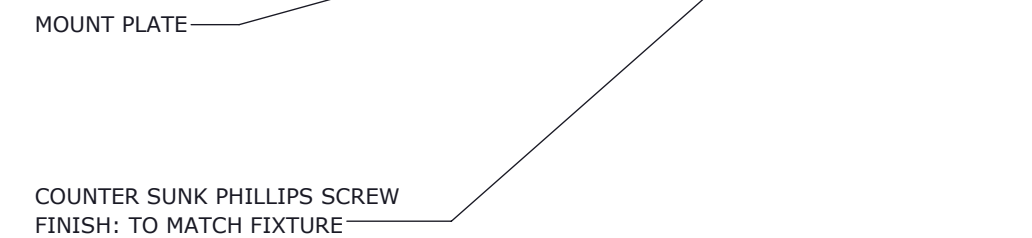
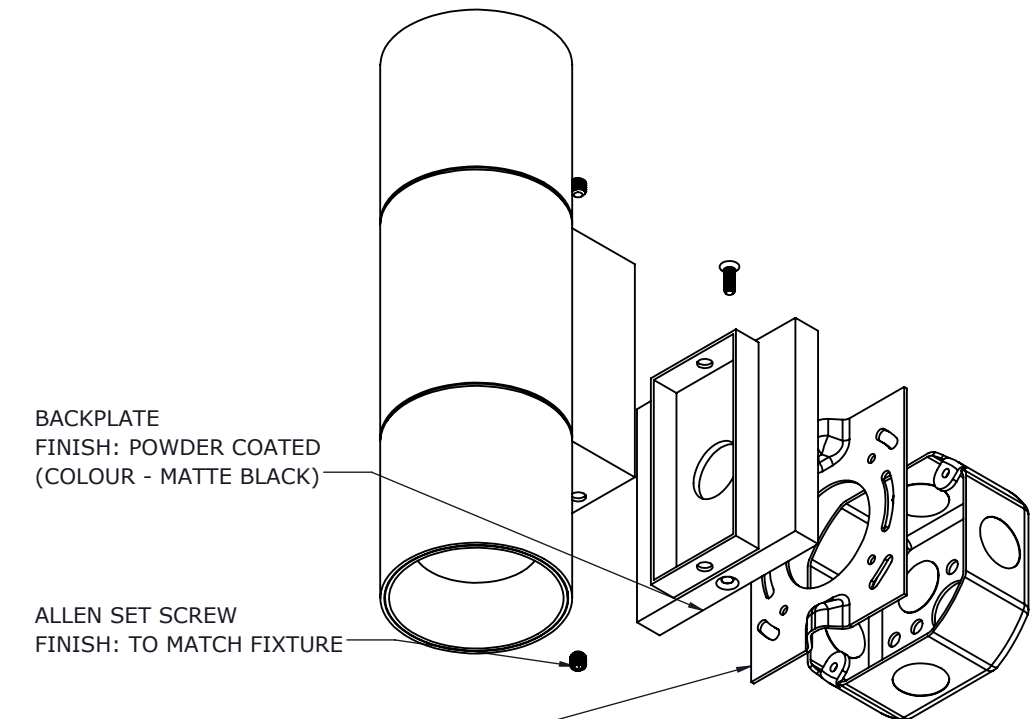
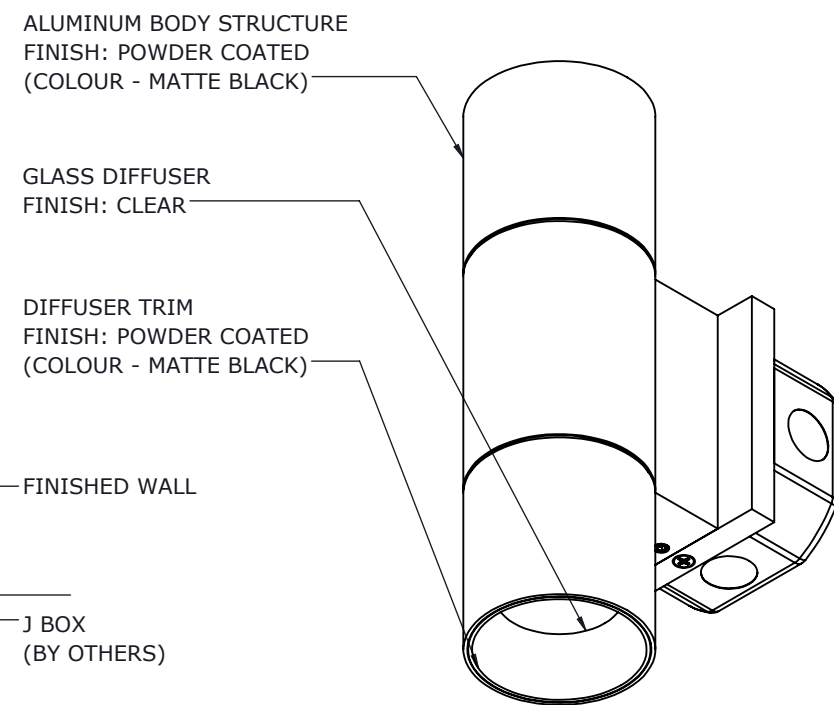
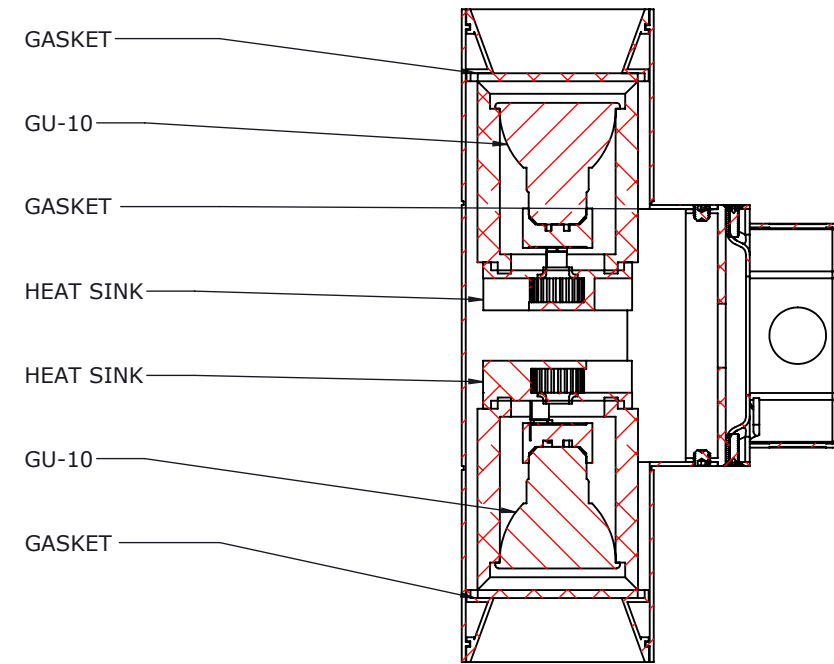
Presented drawings represent ideas and concepts, and may change in manufacturer and installation.  
 All preparation for installation of fixture is to be provided by the end user.  
 The description and measurements on this drawing are for information purposes only.

**TUBO DIRECT - WALL SCONCE - (UP & DOWN LIGHT)**  
**LGN-W61-GU10-CHR**  
**QTY:20**

REVISIONS		
REV.	DESCRIPTION	DATE
0	ISSUED FOR APPROVAL	2021-04-06



**SECTION D-D**  
**SCALE 1 : 3**



LAMPING: 2 X GU-10 BASE 50W  
 SUGGEST: GU-10 BASE 50W, 500LM, 4000K, CRI90  
 DIMMABLE BULB  
 TRIAC DIMMING

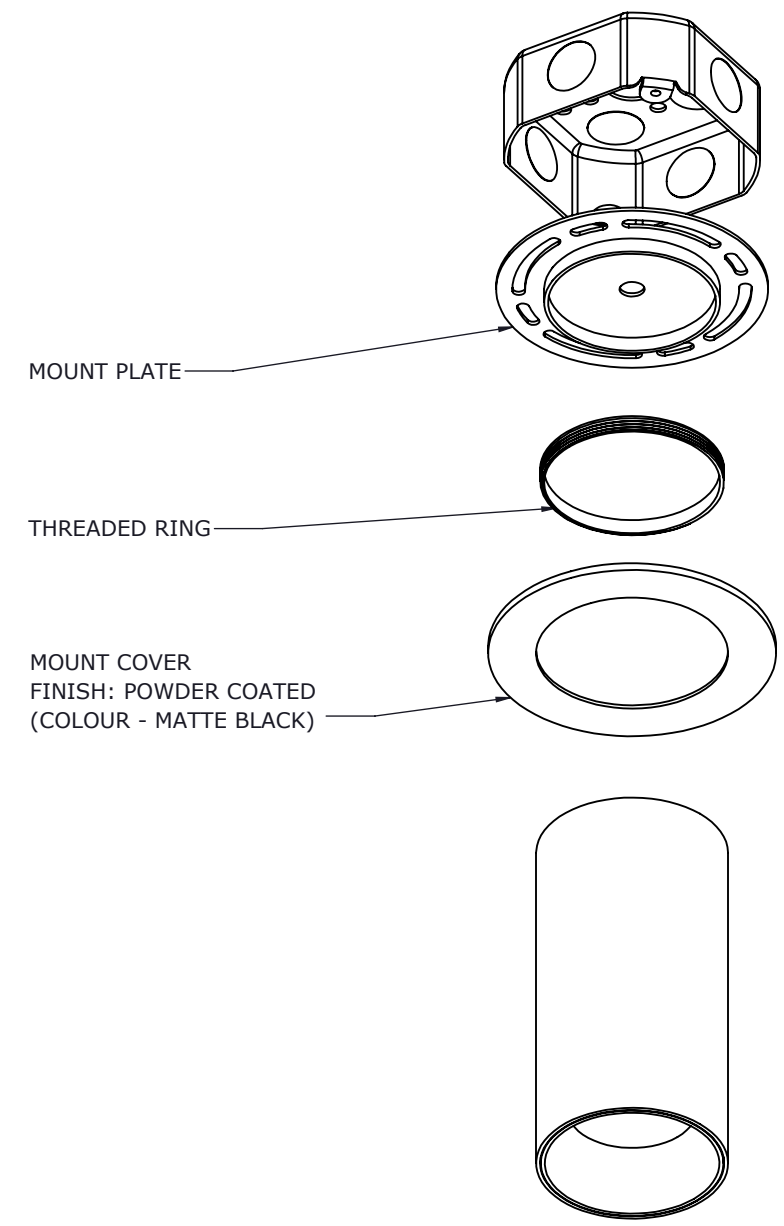
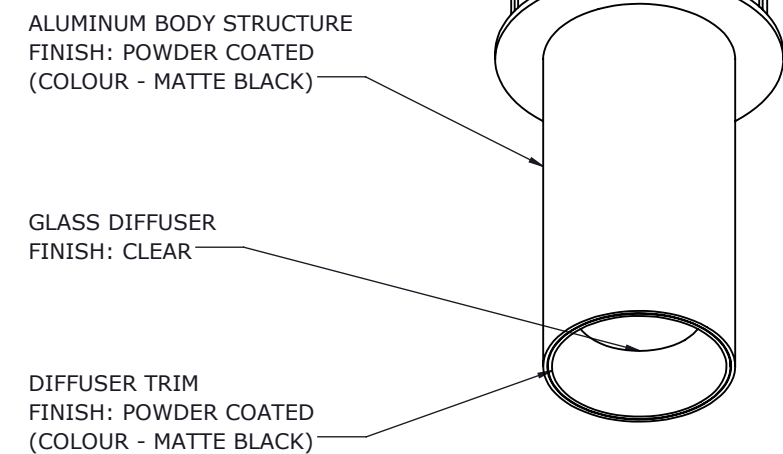
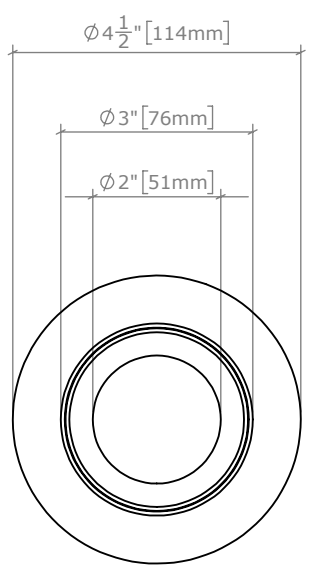
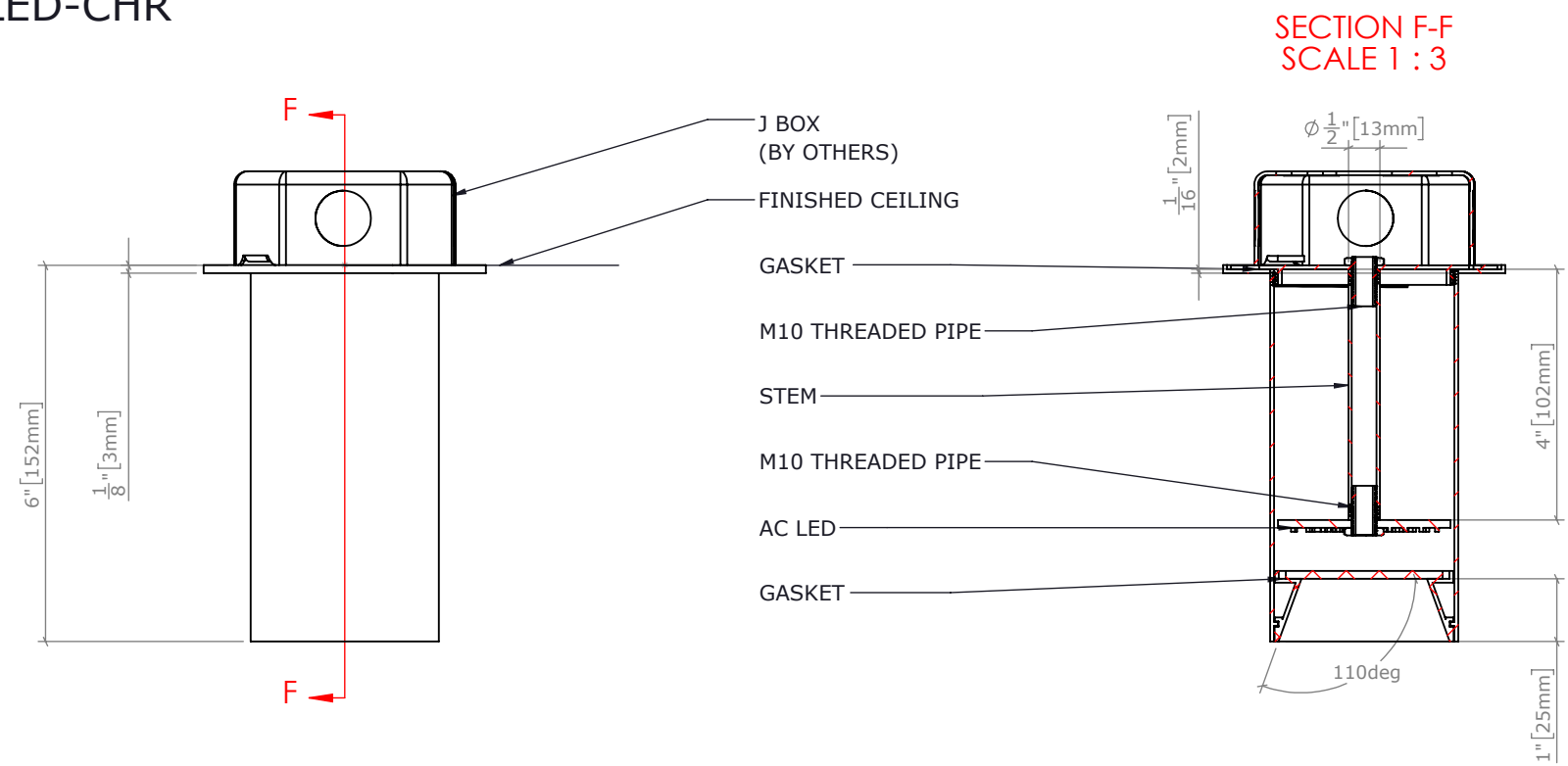
PROJECT: TUBO	SALES: FL	MODEL: W61
LAMP: 2 X GU-10 BASE 50W	CERT.: ETL	WEIGHT: ±7LBS   VOLT:120V
DWG:OC24238	BY: AA   DATE: 2021-04-06	SCALE: 1:3

**NOTES:**  
**TRIAC DIMMING**  
**FINISHES AVAILABLE IN BLACK, WHITE, CHROME**  
**IP65 RATED**



TUBO DIRECT - CEILING MOUNT - (DOWN LIGHT)  
 LGN-C716-LED-CHR  
 QTY:20

REVISIONS		
REV.	DESCRIPTION	DATE
0	ISSUED FOR APPROVAL	2021-04-06



LAMPING:  
 AC LED BOARD 7W, 700LM, 4000K, CRI 90  
 TRIAC DIMMING

**NOTES:**  
**TRIAC DIMMING**  
**FINISHES AVAILABLE IN BLACK, WHITE, CHROME**  
**IP65 RATED**

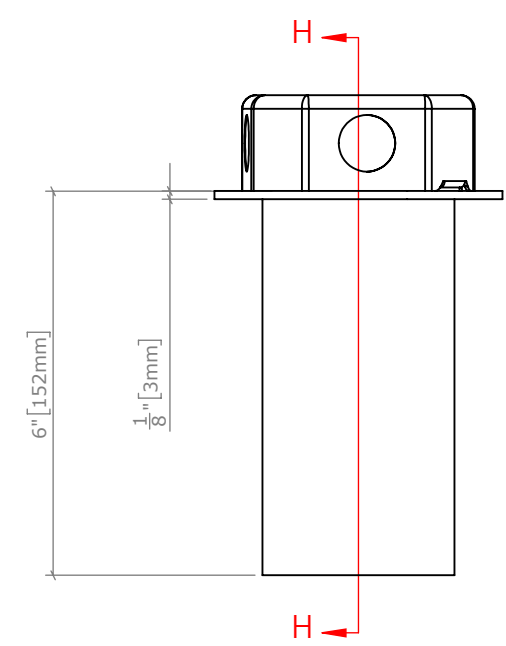
PROJECT: TUBO	SALES: FL	MODEL: C716
LAMP: AC LED 7W, 700LM, 4000K, CRI 90	CERT.: ETL	WEIGHT: ±5LBS   VOLT:120V
DWG:OC24238	BY: AA DATE: 2021-04-06	SCALE: 1:3

Presented drawings represent ideas and concepts, and may change in manufacturer and installation.  
 All preparation for installation of fixture is to be provided by the end user.  
 The description and measurements on this drawing are for information purposes only.

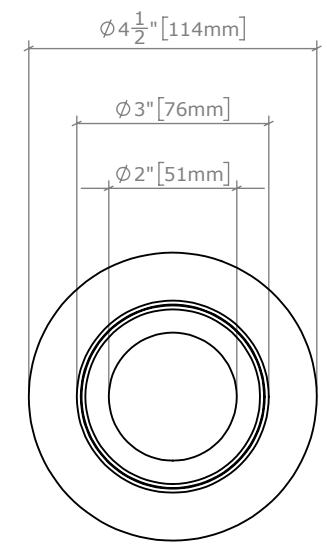
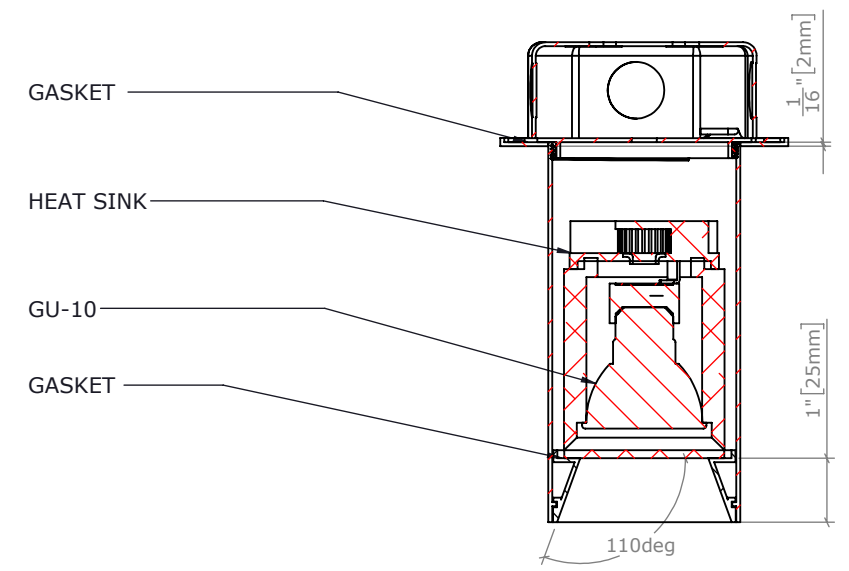


TUBO DIRECT - CEILING MOUNT - (DOWN LIGHT)  
 LGN-C716-LED-CHR  
 QTY:20

REVISIONS		
REV.	DESCRIPTION	DATE
0	ISSUED FOR APPROVAL	2021-04-06



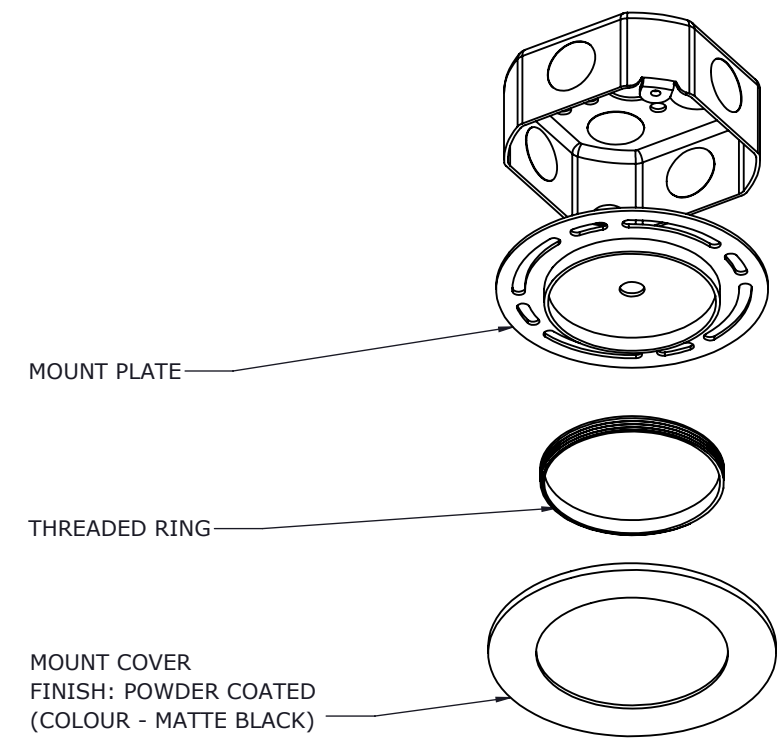
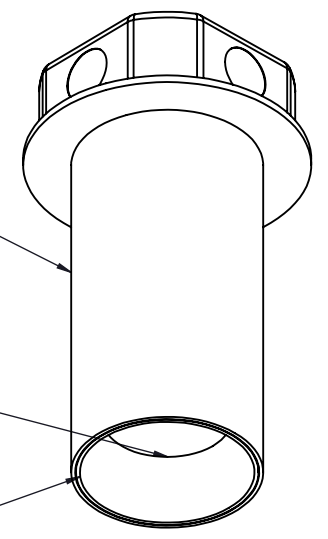
SECTION H-H  
 SCALE 1 : 3



ALUMINUM BODY STRUCTURE  
 FINISH: POWDER COATED  
 (COLOUR - MATTE BLACK)

GLASS DIFFUSER  
 FINISH: CLEAR

DIFFUSER TRIM  
 FINISH: POWDER COATED  
 (COLOUR - MATTE BLACK)



LAMPING: GU-10 BASE 50W  
 SUGGEST: GU-10 BASE 50W, 500LM, 4000K, CRI90  
 DIMMABLE BULB  
 TRIAC DIMMING

PROJECT: TUBO	SALES: FL	MODEL: C716
LAMP: GU-10 BASE 50W	CERT.: ETL	WEIGHT: ±5LBS   VOLT:120V
DWG:OC24238	BY: AA DATE: 2021-04-06	SCALE: 1:3

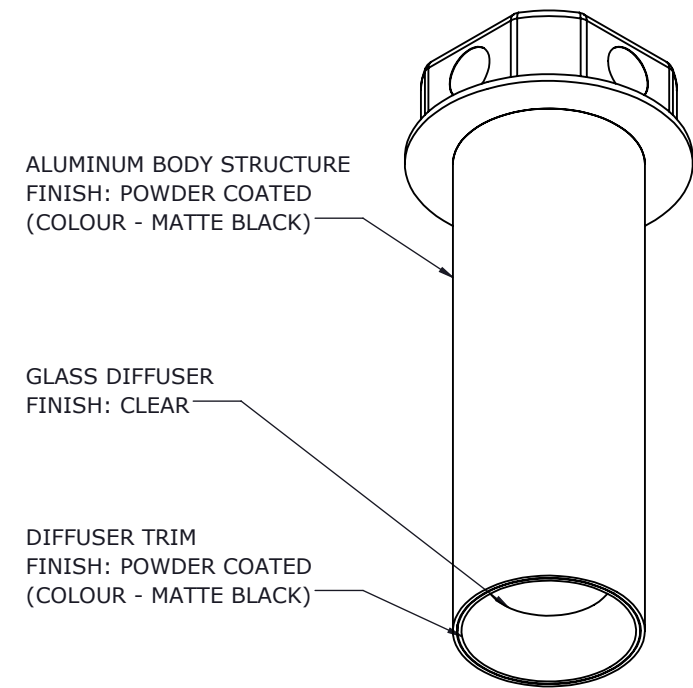
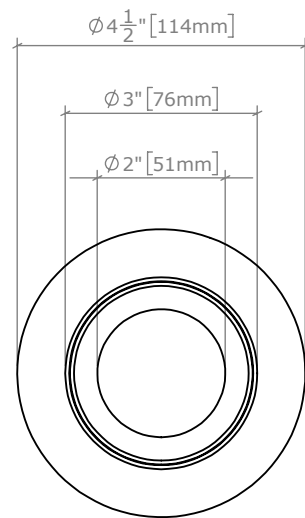
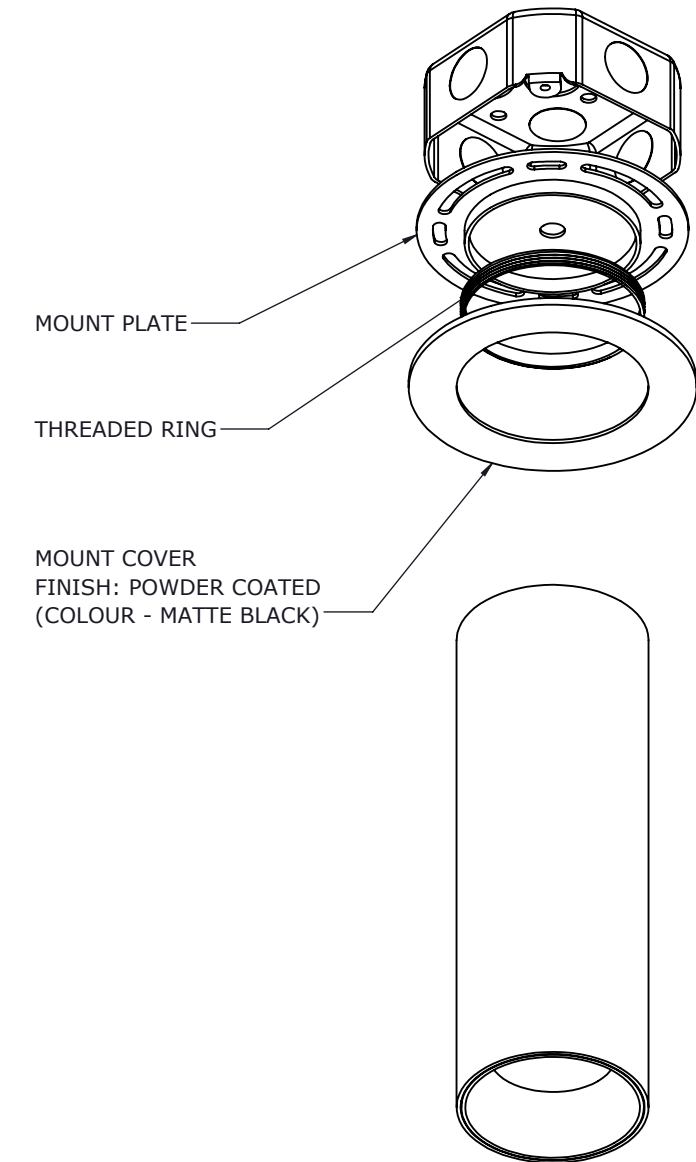
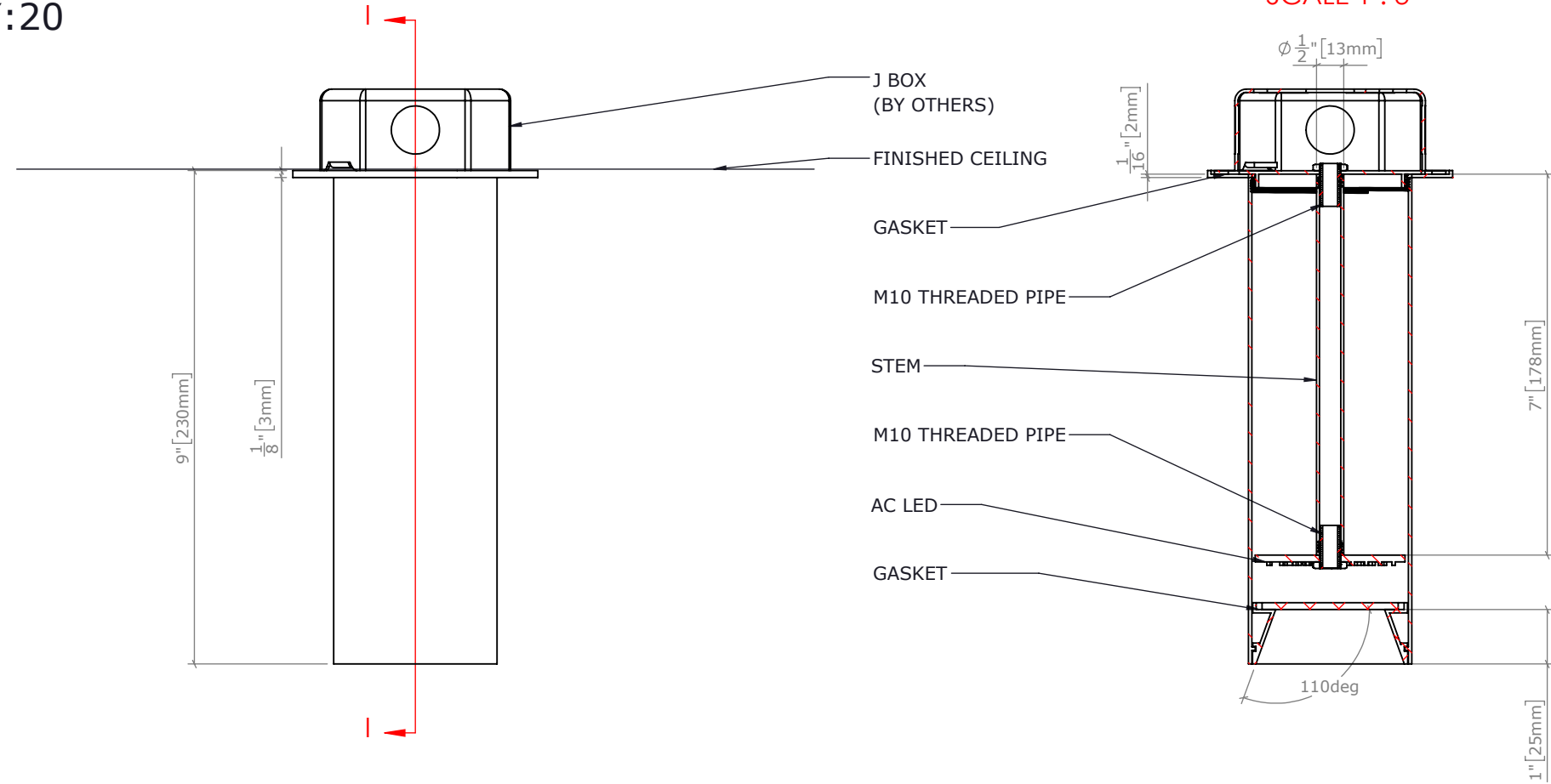
**NOTES:**  
**TRIAC DIMMING**  
**FINISHES AVAILABLE IN BLACK, WHITE, CHROME**  
**IP65 RATED**

Presented drawings represent ideas and concepts, and may change in manufacturer and installation.  
 All preparation for installation of fixture is to be provided by the end user.  
 The description and measurements on this drawing are for information purposes only.



TUBO DIRECT - CEILING MOUNT - (DOWN LIGHT)  
LGN-C719-LED-CHR  
QTY:20

REVISIONS		
REV.	DESCRIPTION	DATE
0	ISSUED FOR APPROVAL	2021-04-06



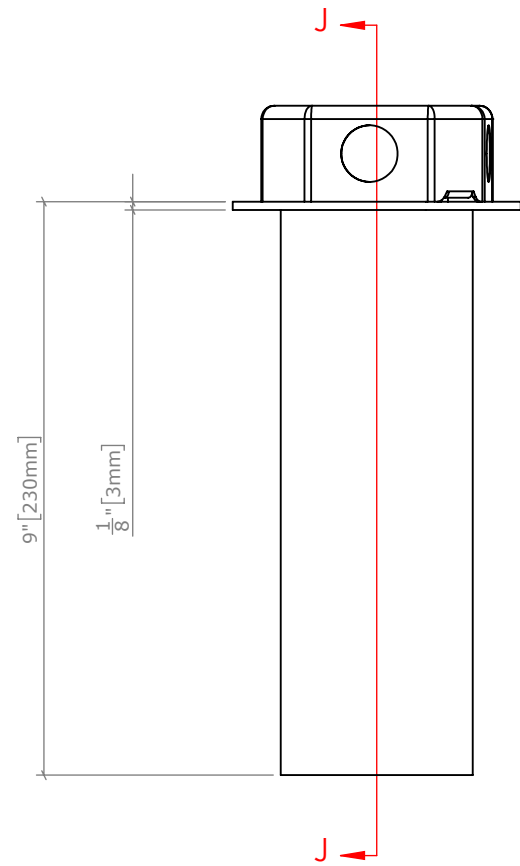
LAMPING:  
AC LED BOARD 7W, 700LM, 4000K, CRI 90  
TRIAC DIMMING

**NOTES:**  
**TRIAC DIMMING**  
**FINISHES AVAILABLE IN BLACK, WHITE, CHROME**  
**IP65 RATED**

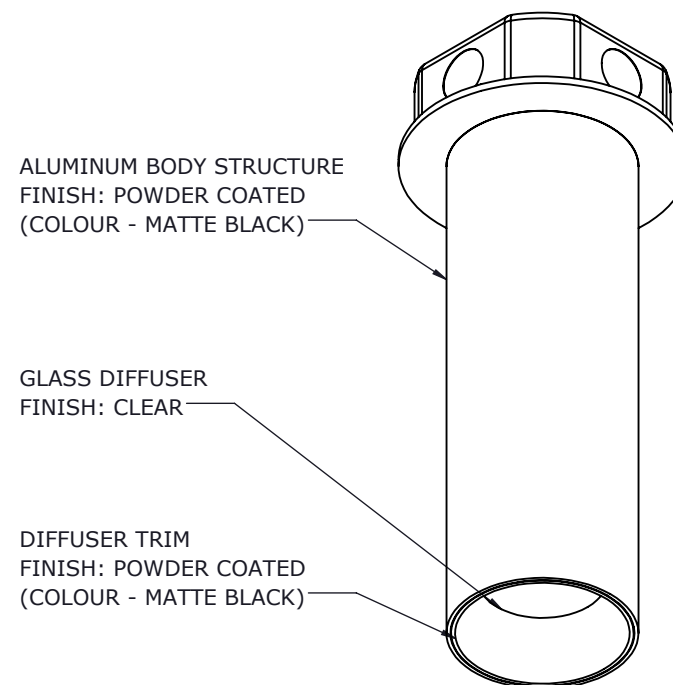
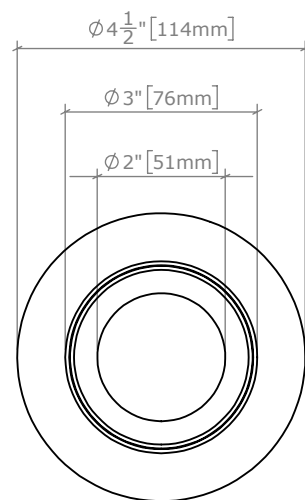
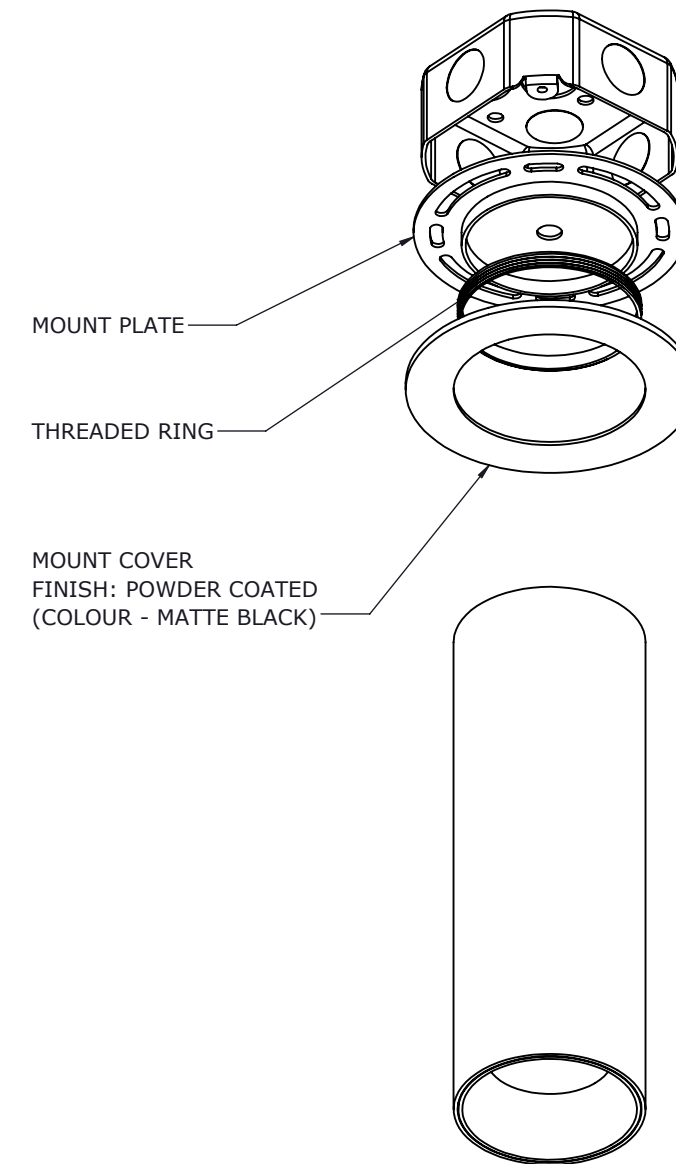
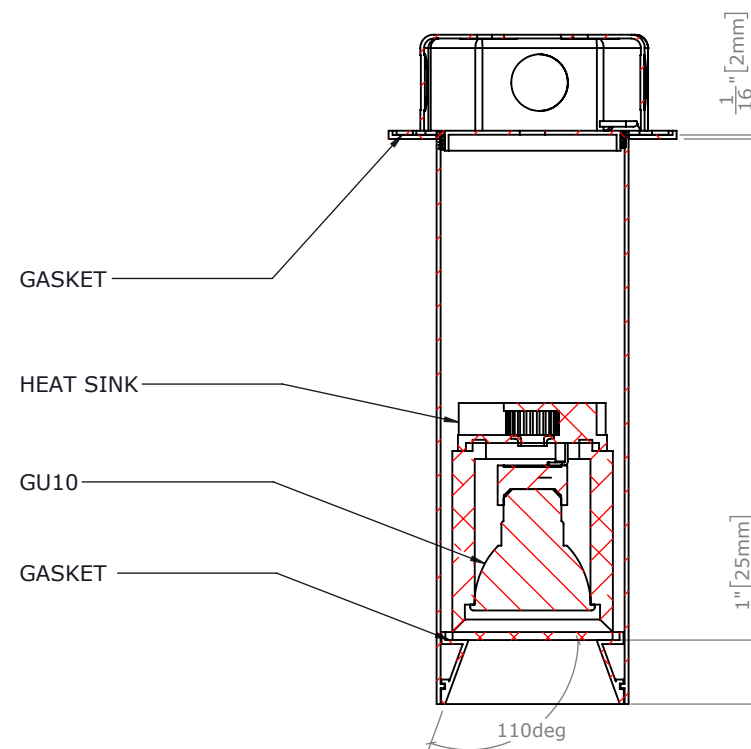
PROJECT: TUBO	SALES: FL	MODEL: C719
LAMP: AC LED 7W, 700LM, 4000K, CRI 90	CERT.: ETL	WEIGHT: ±7LBS   VOLT:120V
DWG:OC24238	BY: AA DATE: 2021-04-06	SCALE: 1:3

TUBO DIRECT - CEILING MOUNT - (DOWN LIGHT)  
 LGN-C719-GU10-CHR  
 QTY:20

REVISIONS		
REV.	DESCRIPTION	DATE
0	ISSUED FOR APPROVAL	2021-04-06



SECTION J-J  
SCALE 1 : 3



LAMPING: GU-10 BASE 50W  
 SUGGEST: GU-10 BASE 50W, 500LM, 4000K, CRI90  
 DIMMABLE BULB  
 TRIAC DIMMING

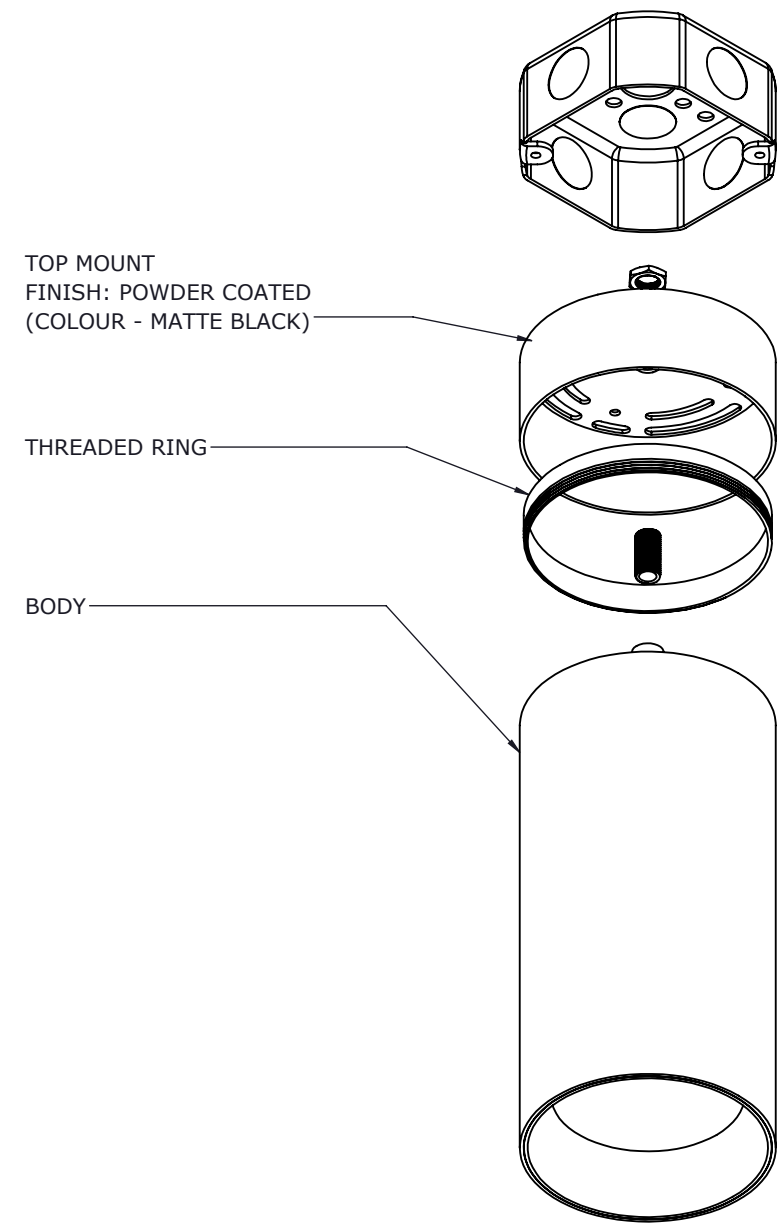
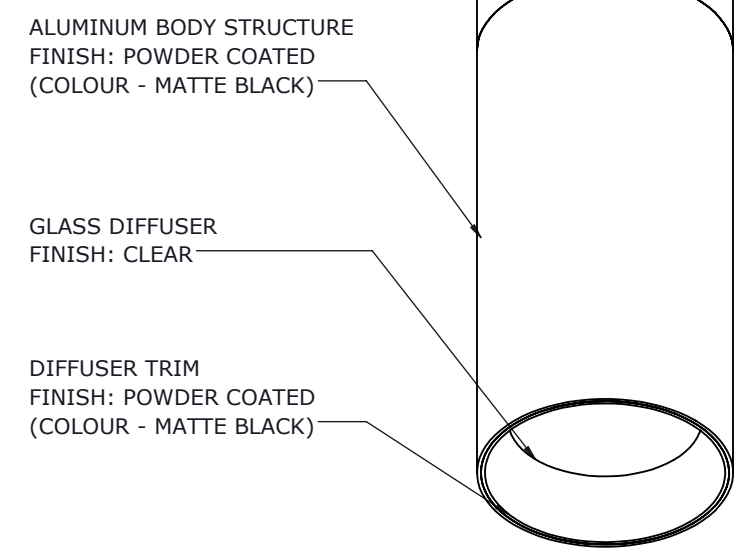
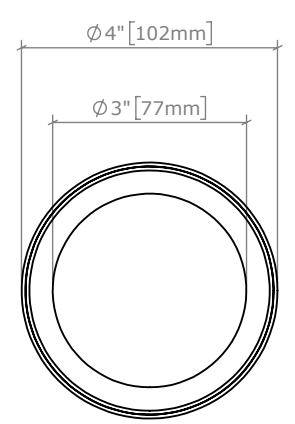
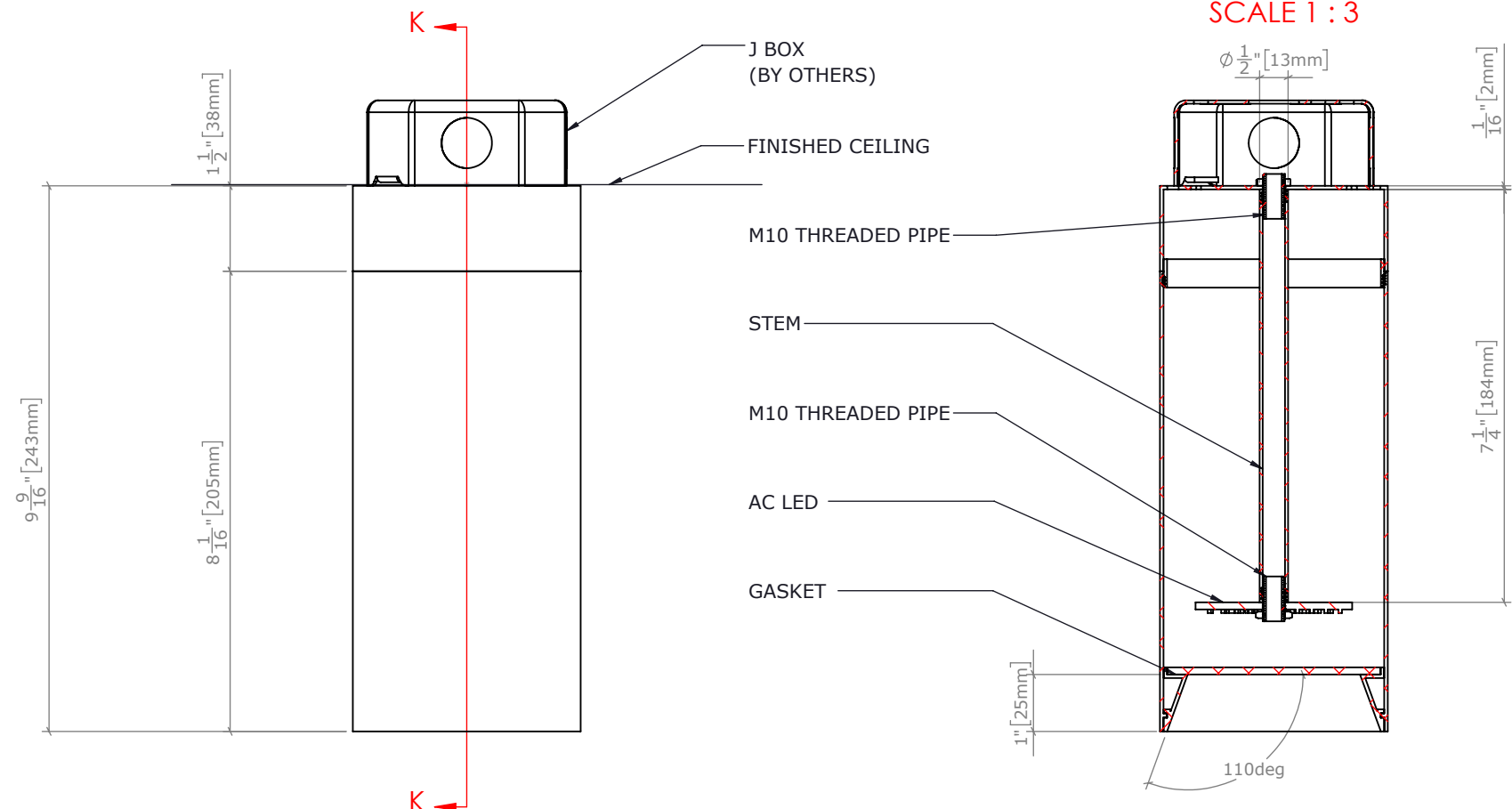
PROJECT: TUBO	SALES: FL	MODEL: C719
LAMP: GU-10 BASE 50W	CERT.: ETL	WEIGHT: ±7LBS   VOLT:120V
DWG:OC24238	BY: AA DATE: 2021-04-06	SCALE: 1:3

**NOTES:**  
**TRIAC DIMMING**  
**FINISHES AVAILABLE IN BLACK, WHITE, CHROME**  
**IP65 RATED**



**TUBO DIRECT - CEILING MOUNT - (DOWN LIGHT)**  
**LGN-C219-LED-CHR**  
**QTY:20**

REVISIONS		
REV.	DESCRIPTION	DATE
0	ISSUED FOR APPROVAL	2021-04-15



LAMPING:  
 AC LED BOARD 7W, 700LM, 4000K, CRI 90  
 TRIAC DIMMING

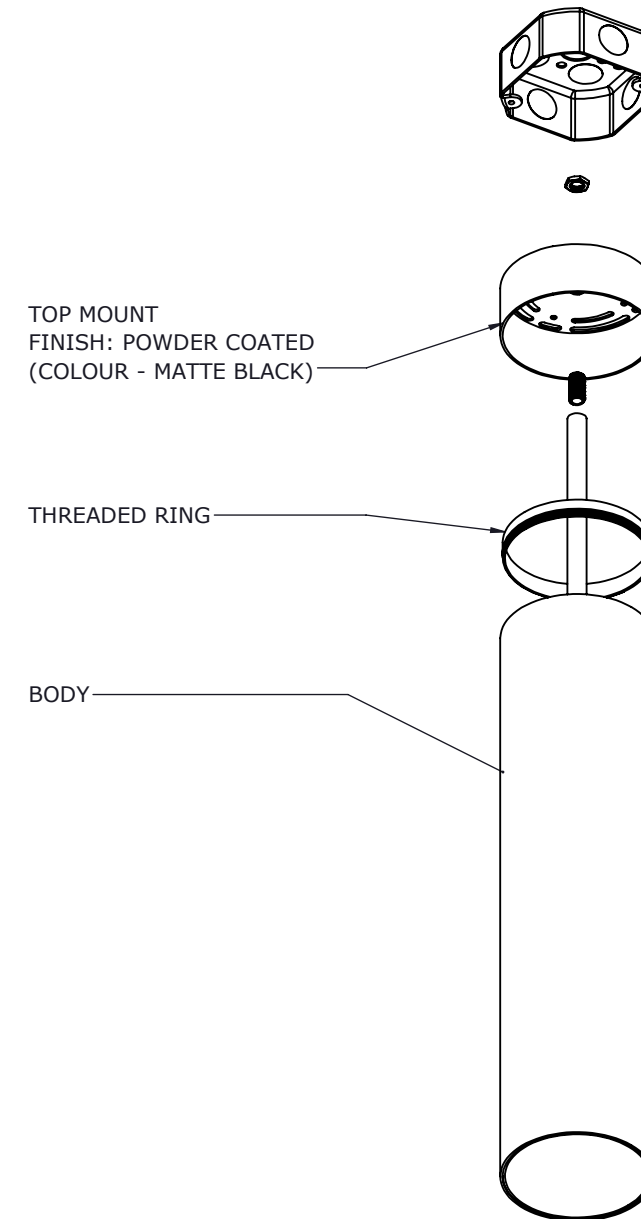
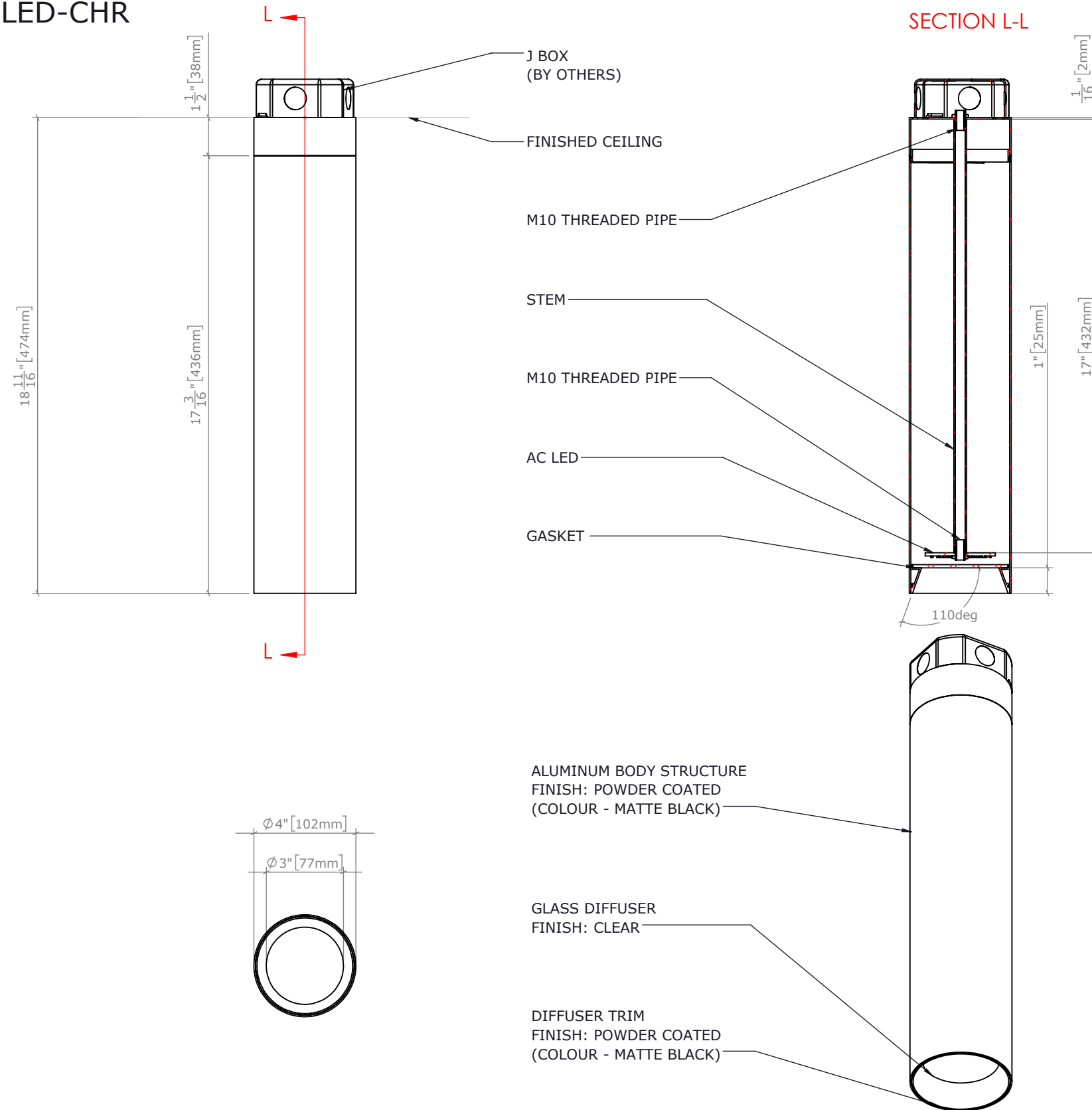
**NOTES:**  
**TRIAC DIMMING**  
**FINISHES AVAILABLE IN BLACK, WHITE, CHROME**  
**IP65 RATED**

PROJECT: TUBO	SALES: FL	MODEL: C219
LAMP: AC LED 7W, 700LM, 4000K, CRI 90	CERT.: ETL	WEIGHT: ±7LBS   VOLT:120V
DWG:OC24238	BY: AA DATE: 2021-04-06	SCALE: 1:3



**TUBO DIRECT - CEILING MOUNT - (DOWN LIGHT)**  
**LGN-2118-LED-CHR**  
**QTY:20**

REVISIONS		
REV.	DESCRIPTION	DATE
0	ISSUED FOR APPROVAL	2021-04-15



LAMPING:  
 AC LED BOARD 7W, 700LM, 4000K, CRI 90  
 TRIAC DIMMING

**NOTES:**  
**TRIAC DIMMING**  
**FINISHES AVAILABLE IN BLACK, WHITE, CHROME**  
**IP65 RATED**

PROJECT: TUBO	SALES: FL	MODEL: 2118
LAMP: AC LED 7W, 700LM, 4000K, CRI 90	CERT.: ETL	WEIGHT: ±10LBS   VOLT:120V
DWG:OC24238	BY: AA DATE: 2021-04-06	SCALE: 1:3