

**IMPORTANT:** Read all instructions before installing fixtures. Retain for future reference.

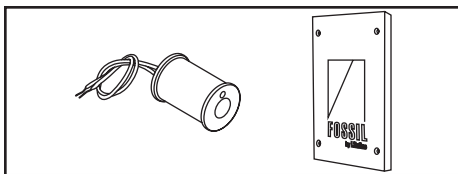
- To be used only with listed class 2 24VDC power supplies.
- Always consider voltage drop effect when linking fixtures together.
- To extend driver life span, do not exceed 80% of driver rated load.

**SAFETY:** For your safety, this fixture must be wired in accordance to local electrical codes and ordinances. All work should be done by a qualified electrician.

**WARNING:** Make certain power is OFF from the electrical panel before starting installation or attempting any maintenance. Indoor installation only.

**INCLUDED COMPONENTS:**

- 1 × Tile light, 2W
- 1 × FOSSIL plaster tile



**TOOLS REQUIRED:**

- Power Drill
- Drywall Saw
- Screwdriver
- Wire Connectors

**ASSEMBLY INSTRUCTIONS:**

**Preparation**

1. Open packaging and place all components onto a clear surface.
2. Turn power OFF from the electrical panel before starting installation.
3. Use wire type and gauge suitable for application to connect the fixtures, and twist-on wire connectors (supplied by others). Ensure correct polarity is followed throughout the line.

**New Construction**

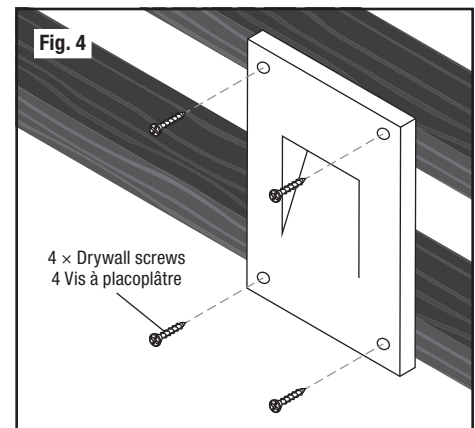
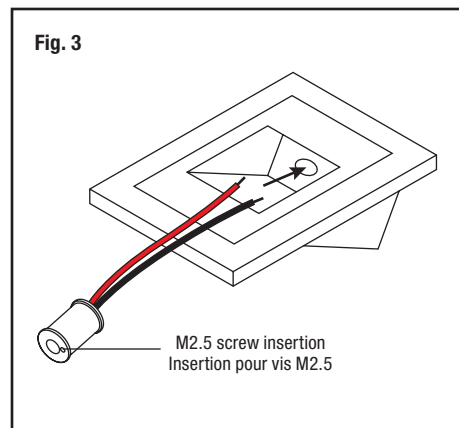
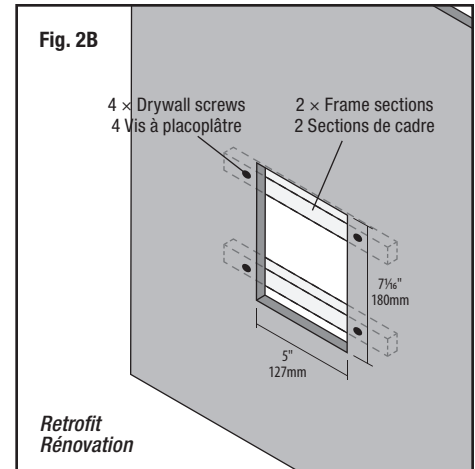
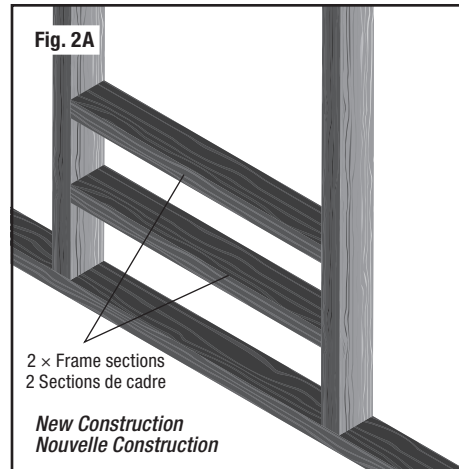
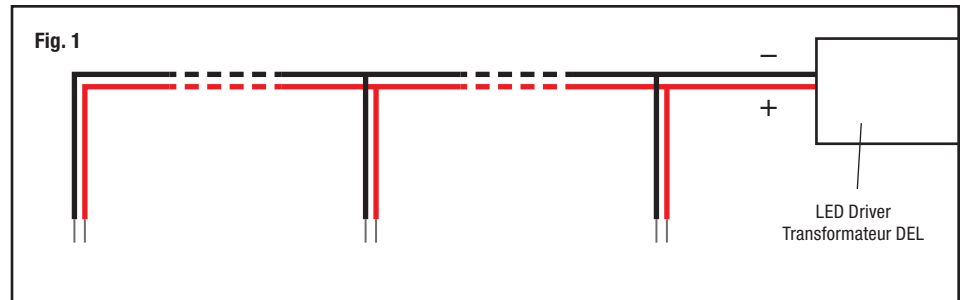
1. Run all wiring through studs to each tile light and driver locations (drill through studs as needed). Use wire connectors to attach wiring to the driver. Leave at least 8" of wire to allow for tile light to extend outside of the mounting location for installation and maintenance [Fig. 1].
2. Build an appropriate frame to receive the plaster tile [Fig. 2A].
3. Insert the tile light into the plaster tile from the front [Fig. 3].
4. Use wire connectors to attach wiring to the tile light.
5. Turn on the power to test/confirm that all step lights are functioning.
6. Turn off the power.
7. Secure the plaster tile with 4 drywall screws (not included) onto the frame ensuring FOSSIL plaster tile will be flush when drywall is installed [Fig 4].

**NOTE:** Do not overtighten when securing the tile with drywall screws, otherwise ceramic tile will easily break.

8. Proceed to drywall installation.
9. Tape and plaster seams around the plaster tile [Fig. 5].
10. After paint, FOSSIL will provide a seamless in-wall finish.

**Retrofit**

1. Cut hole in the wall with the drywall saw to match prefab plaster tile dimensions [Fig. 2].
2. Run all wiring through studs to each tile light and driver locations (drill through studs as needed). Use wire connectors to attach wiring to the driver. Leave at least 8" of wire to allow for tile light to extend outside of the mounting location for installation and maintenance [Fig. 1].



3. Build an appropriate frame to receive the plaster tile [Fig. 2B].
4. Insert the tile light into the plaster tile from the front [Fig. 3].
5. Use wire connectors to attach wiring to the tile light.
6. Turn on the power to test/confirm that all step lights are functioning.
7. Secure the plaster tile with 4 drywall screws (not included) onto the frame [Fig. 4].
8. Tape and plaster seams [Fig. 5].
9. After paint, FOSSIL will provide a seamless in-wall finish.

**Notes:**

1. Tile light has provision for M2.5 screw insertion to pull out the fixture for servicing purposes (once plaster tile is mudded in place).
2. Ensure the integrity of vapour barrier is maintained upon steplight installation (where applicable).

